

RACORES DIN 2353

DIN 2353 Pipe fittings
Raccords à bague DIN 2353
Raccordi DIN 2353

Tuercas y anillos ▪ Nuts and cutting rings ▪ Écrous et bagues ▪ Dadi e anelli



ZML/ZMS



ZACL/ZACS



ZVHS



ZACJ

Uniones tubo-tubo ▪ Straight couplings ▪ Raccords union double ▪ Raccordi intermedi



ZDL/ZDS



ZEL/ZES



ZDL/ZDS



ZTL/ZTS



ZKVL/ZKVS

Uniones rectas tubo-rosca ▪ Straight male stud couplings ▪ Raccords union simple mâle ▪ Raccordi di estremità diritti



ZAL/ZAS RC



ZAL/ZAS BSP WD



ZAL/ZAS BSP



ZAL/ZAS M WD



ZAL/ZAS UNF



ZAKL/ZAKS NPT



ZAKL/ZAKS BSPT



ZAKL/ZAKS METRIC

Codos tubo-rosca ▪ Male stud elbows ▪ Raccords coude mâle gaz ▪ Raccordi di estremità a 90°



ZCKL/ZCKS BSPT



Z WEE



ZCKL/ZCKS NPT



ZCKL/ZCKS METRIC

TES rosca lateral ▪ Male stud barrel ▪ Raccords Té mâle latéral ▪ Raccordi di estremità a L



ZLKL/ZLKS BSPT



ZLKL/ZLKS METRIC

TES rosca central ▪ Male stud branch ▪ Raccords Té mâle central ▪ Raccordi di estremità a T



ZFKL/ZFKS BSPT



ZFKL/ZFKS METRIC



ZFKL/ZFKS NPT

Uniones Métricas ▪ Metric unions ▪ Raccords union Métrique ▪ Raccordi Metrici



ZKORL TLM



ZKORS TLM

Reducciones roscadas ▪ Reductions ▪ Raccords de réduction ▪ Raccordi di riduzione filettati



ZRI-R WD

Racores regulables ▪ Adjustable stud couplings ▪ Raccords réglables ▪ Raccordi orientabili



ZEEL/ZEES CTA



ZEEL/ZEES TLM



ZTEL/ZTES TLM



ZLEL/ZLES TLM

RACORES DIN 2353

DIN 2353 Pipe fittings
Raccords à bague DIN 2353
Raccordi DIN 2353

Tubo roscado (hembra giratoria) ▪ Adjustable straight stud ▪ Raccords tube fileté ▪ Raccordi di estremità per combinazioni



ZATL/ZATS ZRAL/ZRASBSP TLMWD ZRAL/ZRAS NPT TLM ZRAL/ZRAS METRIC TLMWD

Soldables ▪ Welding fittings ▪ Raccords à souder ▪ Raccordi a saldare



ZASL/ZASS ZESVL/ZESVS ZORIL/ZORIS

Pasatabiques ▪ Bulkhead ▪ Raccords passe cloison ▪ Raccordi passaparete



ZSVL/ZSVS ZUSVL/ZUSVS KZTPM

Racor recto hembra ▪ Straight female coupling ▪ Raccords droits femelle ▪ Raccordi diritti con estremità femmina



ZGAIL/ZGAIS BSP ZMAVL/ZMAVS ZGAIL/ZGAIS METRIC ZAM

Orientables ▪ Banjos ▪ Raccords orientables ▪ Raccordi orientabili ad occhio



ZWSVL/ZWSVS BSP ZWSVL/ZWSVS METRIC

Tapones ▪ Plugs ▪ Raccords bouchon métrique ▪ Tappi



ZBUTZEN L/S ZSTOPFEN BSP ZSTOPFEN METRIC

Juntas ▪ O-rings & captive seals ▪ Joints ▪ Guarnizioni



JVT JVBSP/JVM

Accesorios para montaje ▪ Accessories for the assembly ▪ Accessoires pour le montage ▪ Accessori per assemblaggio



ZVOMO Grasa

Válvulas antirretorno ▪ Valves ▪ Valves clapet antiretour ▪ Valvole di ritegno



ZRHVL/ZRHVS ZRHZL/ZRHZS ZRHDL/ZRHDS

RACORES DIN 2353

DIN 2353 Pipe fittings
Raccords à bague DIN 2353
Raccordi DIN 2353

Tuercas Métricas DIN 3870

Nuts DIN 3870

Écrou DIN 3870

Dado DIN 3870



TUBO PIPE	SERIE SERIES	ROSCA THREAD	Referencia Part n°	€
4	LL	M8X1	Z MLL 4	3,40
6	LL	M10X1	Z MLL 6	3,12
8	LL	M12X1	Z MLL 8	3,64
6	L	M12X1.5	Z ML 6	2,13
8	L	M14X1.5	Z ML 8	2,64
10	L	M16X1.5	Z ML 10	3,04
12	L	M18X1.5	Z ML 12	3,65
15	L	M22X1.5	Z ML 15	5,28
18	L	M26X1.5	Z ML 18	8,21
22	L	M30X2	Z ML 22	10,66
28	L	M36X2	Z ML 28	21,93
35	L	M45X2	Z ML 35	36,67
42	L	M52X2	Z ML 42	45,78
6	S	M14X1.5	Z MS 6	2,87
8	S	M16X1.5	Z MS 8	3,23
10	S	M18X1.5	Z MS 10	4,05
12	S	M20X1.5	Z MS 12	4,49
14	S	M22X1.5	Z MS 14	7,31
16	S	M24X1.5	Z MS 16	8,12
20	S	M30X2	Z MS 20	12,38
25	S	M36X2	Z MS 25	29,22
30	S	M42X2	Z MS 30	37,58
38	S	M52X2	Z MS 38	57,15

Anillos de corte DIN 3861

Cutting rings DIN 3861

Bague DIN 3861

Anello DIN 3861



TUBO PIPE	SERIE SERIES	Referencia Part n°	€
4	LL	Z ACLL 4	2,04
6	LL	Z ACLL 6	2,24
8	LL	Z ACLL 8	2,32
6	L/S	Z ACL 6	2,05
8	L/S	Z ACL 8	2,11
10	L/S	Z ACL 10	2,70
12	L/S	Z ACL 12	2,81
15	L	Z ACL 15	3,09
18	L	Z ACL 18	3,37
22	L	Z ACL 22	4,50
28	L	Z ACL 28	6,75
35	L	Z ACL 35	10,32
42	L	Z ACL 42	12,05
14	S	Z ACS 14	3,53
16	S	Z ACS 16	3,83
20	S	Z ACS 20	4,50
25	S	Z ACS 25	6,75
30	S	Z ACS 30	10,12
38	S	Z ACS 38	10,89

Anillos de refuerzo

Reinforced ring

Bague de renforcement

Anello di rinforzo



TUBO PIPE	Referencia Part n°	€
4	Z VHS 4	*
5	Z VHS 5	*
6	Z VHS 6	*
7	Z VHS 7	*
8	Z VHS 8	*
9	Z VHS 9	*
10	Z VHS 10	*
11	Z VHS 11	*
12	Z VHS 12	*
13	Z VHS 13	*
14	Z VHS 14	*
15	Z VHS 15	*
16	Z VHS 16	*
17	Z VHS 17	*
18	Z VHS 18	*
19	Z VHS 19	*
20	Z VHS 20	*
22	Z VHS 22	*
24	Z VHS 24	*
25	Z VHS 25	*
31	Z VHS 31	*
33	Z VHS 33	*
38	Z VHS 38	*

RACORES DIN 2353

DIN 2353 Pipe fittings
Raccords à bague DIN 2353
Raccordi DIN 2353

Anillos de corte con junta

Cutting ring with joint

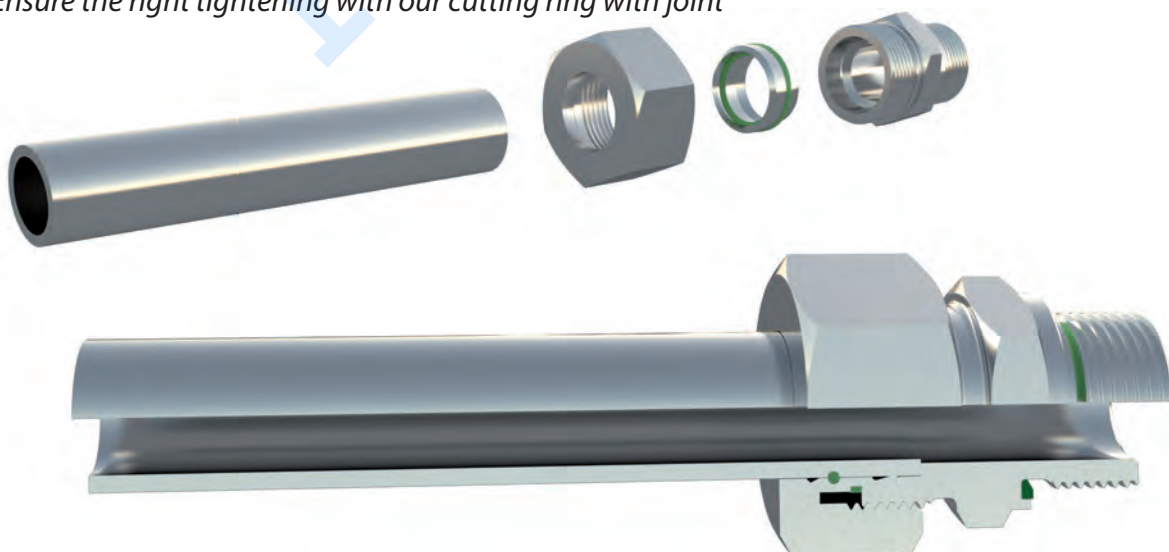
Bague avec joint

Anello da taglio con guarnizione



TUBO PIPE	SERIE SERIES	Referencia Part n°	€
6	L	Z ACJL 6	5,04
8	L	Z ACJL 8	5,16
10	L	Z ACJL 10	5,81
12	L	Z ACJL 12	4,94
15	L	Z ACJL 15	8,23
18	L	Z ACJL 18	10,29
22	L	Z ACJL 22	11,76
28	L	Z ACJL 28	16,85
35	L	Z ACJL 35	24,95
42	L	Z ACJL 42	31,20
6	S	Z ACJS 6	5,15
8	S	Z ACJS 8	5,19
10	S	Z ACJS 10	5,85
12	S	Z ACJS 12	6,65
14	S	Z ACJS 14	8,10
16	S	Z ACJS 16	9,33
20	S	Z ACJS 20	12,32
25	S	Z ACJS 25	16,55
30	S	Z ACJS 30	21,70
38	S	Z ACJS 38	31,31

- Asegura una completa estanqueidad con el anillo de corte con junta
- Ensure the right tightening with our cutting ring with joint



Consulta en nuestra ficha técnica datos | Check our technical sheet for data

Ø FUGAS EN EQUIPAMIENTOS SOMETIDOS A ALTAS VIBRACIONES



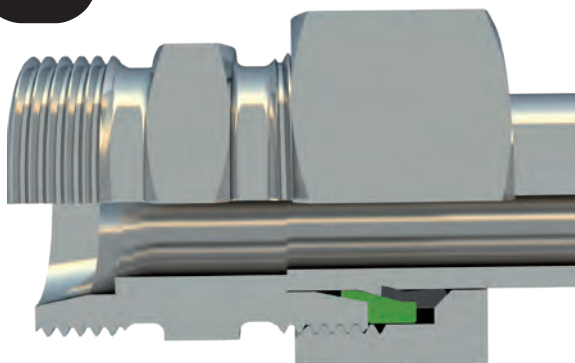
Ø LEAKS IN EQUIPMENT SUBJECTED TO HIGH VIBRATIONS



USOS MÁS EXIGENTES HIGH DEMANDING APPLICATIONS

BAJO CONSULTA
ON REQUEST

NEW



- ‡ Hasta una presión nominal (PN) de 800 bar
- ‡ Reducción de los pares de apriete en hasta 25%
- ‡ Un montaje aún más sencillo
- ‡ Sencillo manejo mediante tuerca funcional

- ‡ Pressure rating up to 800 bar (PN)
- ‡ Reduction of tightening torques up to 25%
- ‡ Easier assembly
- ‡ Simple handling through functional nut

RACORES DIN 2353

DIN 2353 Pipe fittings
Raccords à bague DIN 2353
Raccordi DIN 2353

Racor unión recta tubo - tubo

Straight coupling

Raccord union double

Raccordo intermedio diritto



TUBO PIPE	SERIE SERIES	Referencia Part n°	€	Referencia STA Part N° STA	€
4	LL	Z DLL 4	26,35	---	*
6	LL	Z DLL 6	23,09	---	*
8	LL	Z DLL 8	22,29	---	*
6	L	Z DL 6	15,61	Z STA DL 6	7,02
8	L	Z DL 8	15,32	Z STA DL 8	8,78
10	L	Z DL 10	16,95	Z STA DL 10	10,13
12	L	Z DL 12	20,88	Z STA DL 12	10,46
15	L	Z DL 15	27,82	Z STA DL 15	13,84
18	L	Z DL 18	35,86	Z STA DL 18	16,47
22	L	Z DL 22	43,98	Z STA DL 22	25,00
28	L	Z DL 28	76,33	Z STA DL 28	40,54
35	L	Z DL 35	114,55	Z STA DL 35	55,40
42	L	Z DL 42	168,30	Z STA DL 42	86,46
6	S	Z DS 6	18,91	Z STA DS 6	10,81
8	S	Z DS 8	20,53	Z STA DS 8	9,61
10	S	Z DS 10	24,71	Z STA DS 10	13,46
12	S	Z DS 12	27,84	Z STA DS 12	17,48
14	S	Z DS 14	34,50	Z STA DS 14	21,61
16	S	Z DS 16	34,38	Z STA DS 16	17,73
20	S	Z DS 20	55,39	Z STA DS 20	29,05
25	S	Z DS 25	95,21	Z STA DS 25	47,28
30	S	Z DS 30	127,90	Z STA DS 30	60,79
38	S	Z DS 38	193,24	Z STA DS 38	79,69

Racor unión en codo tubo - tubo

Equal elbow coupling

Raccord coude égal

Raccordo intermedio a 90°



TUBO PIPE	SERIE SERIES	Referencia Part n°	€	Referencia STA Part N° STA	€
4	LL	Z ELL 4	39,27	---	*
6	LL	Z ELL 6	34,86	---	*
8	LL	Z ELL 8	37,82	---	*
6	L	Z EL 6	24,22	Z STA EL 6	17,32
8	L	Z EL 8	22,36	Z STA EL 8	21,11
10	L	Z EL 10	25,46	Z STA EL 10	24,32
12	L	Z EL 12	31,02	Z STA EL 12	25,67
15	L	Z EL 15	43,12	Z STA EL 15	33,78
18	L	Z EL 18	60,81	Z STA EL 18	45,93
22	L	Z EL 22	86,46	Z STA EL 22	65,27
28	L	Z EL 28	130,80	Z STA EL 28	99,71
35	L	Z EL 35	202,37	Z STA EL 35	157,89
42	L	Z EL 42	290,22	Z STA EL 42	244,50
6	S	Z ES 6	26,45	Z STA ES 6	23,38
8	S	Z ES 8	28,80	Z STA ES 8	26,00
10	S	Z ES 10	32,96	Z STA ES 10	27,01
12	S	Z ES 12	41,41	Z STA ES 12	30,49
14	S	Z ES 14	51,30	Z STA ES 14	37,82
16	S	Z ES 16	63,14	Z STA ES 16	43,23
20	S	Z ES 20	87,73	Z STA ES 20	66,77
25	S	Z ES 25	147,30	Z STA ES 25	99,05
30	S	Z ES 30	205,46	Z STA ES 30	152,81
38	S	Z ES 38	312,62	Z STA ES 38	220,18

Racor unión recta en reducción tubo - tubo

Straight reducing coupling

Raccord union double en réduction

Raccordo di riduzione



TUBO PIPE	PIPE	SERIE SERIES	Referencia Part n°	€	Referencia STA Part N° STA	€
8	6	L	Z DL 8-6	20,08	Z STA DL 8-6	10,83
10	6	L	Z DL 10-6	21,18	Z STA DL 10-6	10,94
10	8	L	Z DL 10-8	20,25	Z STA DL 10-8	9,44
12	6	L	Z DL 12-6	23,85	Z STA DL 12-6	12,89
12	8	L	Z DL 12-8	24,61	Z STA DL 12-8	12,85
12	10	L	Z DL 12-10	22,95	Z STA DL 12-10	10,43
15	6	L	Z DL 15-6	36,75	Z STA DL 15-6	23,88
15	8	L	Z DL 15-8	40,54	Z STA DL 15-8	25,00
15	10	L	Z DL 15-10	30,06	Z STA DL 15-10	15,63
15	12	L	Z DL 15-12	28,80	Z STA DL 15-12	14,27
18	8	L	Z DL 18-8	45,11	Z STA DL 18-8	28,47
18	10	L	Z DL 18-10	38,48	Z STA DL 18-10	20,86
18	12	L	Z DL 18-12	39,07	Z STA DL 18-12	20,72
18	15	L	Z DL 18-15	40,84	Z STA DL 18-15	23,46
22	12	L	Z DL 22-12	51,94	Z STA DL 22-12	30,00
22	15	L	Z DL 22-15	50,37	Z STA DL 22-15	26,52
22	18	L	Z DL 22-18	54,39	Z STA DL 22-18	27,34
28	22	L	Z DL 28-22	93,02	Z STA DL 28-22	48,86
35	22	L	Z DL 35-22 *	97,17	Z STA DL 35-22 *	40,59
35	28	L	Z DL 35-28	129,45	Z STA DL 35-28	84,44
42	28	L	Z DL 42-28	172,90	Z STA DL 42-28	86,07
42	35	L	Z DL 42-35	161,34	Z STA DL 42-35	102,93
8	6	S	Z DS 8-6	28,33	Z STA DS 8-6	18,09
10	6	S	Z DS 10-6	27,84	Z STA DS 10-6	17,52
10	8	S	Z DS 10-8	30,82	Z STA DS 10-8	20,01
12	6	S	Z DS 12-6	36,35	Z STA DS 12-6	23,82
12	8	S	Z DS 12-8	30,85	Z STA DS 12-8	17,89
12	10	S	Z DS 12-10	33,29	Z STA DS 12-10	18,93
14	10	S	Z DS 14-10	39,37	Z STA DS 14-10	21,47
16	10	S	Z DS 16-10	46,33	Z STA DS 16-10	28,23
16	12	S	Z DS 16-12	41,60	Z STA DS 16-12	22,03
16	14	S	Z DS 16-14	48,43	Z STA DS 16-14	25,34
20	12	S	Z DS 20-12	63,36	Z STA DS 20-12	41,13
20	14	S	Z DS 20-14	73,36	Z STA DS 20-14	45,78
20	16	S	Z DS 20-16	65,48	Z STA DS 20-16	36,34
25	16	S	Z DS 25-16	100,88	Z STA DS 25-16	52,65
25	20	S	Z DS 25-20	107,07	Z STA DS 25-20	53,90
30	20	S	Z DS 30-20	142,36	Z STA DS 30-20	77,47
30	25	S	Z DS 30-25	153,38	Z STA DS 30-25	99,15
38	25	S	Z DS 38-25	191,47	Z STA DS 38-25	91,32
38	30	S	Z DS 38-30	232,03	Z STA DS 38-30	115,98

*Hasta fin de existencias / Until end of stock / Jusqu'à la fin du stock / Fino ad esaurimento

RACORES DIN 2353

DIN 2353 Pipe fittings
Raccords à bague DIN 2353
Raccordi DIN 2353

Racor unión en T tubo - tubo

Equal Tee

Raccord Té égal

Raccordo intermedio a T



TUBO PIPE	SERIE SERIES	Referencia Part n°	€	Referencia STA Part N° STA	€
4	LL	Z TLL 4	50,75	---	*
6	LL	Z TLL 6	51,32	---	*
8	LL	Z TLL 8	56,06	---	*
6	L	Z TL 6	31,04	Z STA TL 6	22,83
8	L	Z TL 8	32,55	Z STA TL 8	26,35
10	L	Z TL 10	36,83	Z STA TL 10	28,23
12	L	Z TL 12	41,64	Z STA TL 12	30,39
15	L	Z TL 15	56,43	Z STA TL 15	43,09
18	L	Z TL 18	81,32	Z STA TL 18	56,75
22	L	Z TL 22	116,85	Z STA TL 22	80,93
28	L	Z TL 28	168,33	Z STA TL 28	127,31
35	L	Z TL 35	298,03	Z STA TL 35	229,64
42	L	Z TL 42	405,32	Z STA TL 42	303,94
6	S	Z TS 6	35,02	Z STA TS 6	31,58
8	S	Z TS 8	37,91	Z STA TS 8	32,60
10	S	Z TS 10	44,43	Z STA TS 10	32,42
12	S	Z TS 12	54,95	Z STA TS 12	43,23
14	S	Z TS 14	84,04	Z STA TS 14	54,13
16	S	Z TS 16	82,04	Z STA TS 16	56,75
20	S	Z TS 20	114,98	Z STA TS 20	84,09
25	S	Z TS 25	197,25	Z STA TS 25	134,67
30	S	Z TS 30	303,18	Z STA TS 30	205,08
38	S	Z TS 38	417,67	Z STA TS 38	243,27

Racor unión en cruz tubo - tubo

Equal cross

Raccord croix égale

Raccordo intermedio a croce



TUBO PIPE	SERIE SERIES	Referencia Part n°	€	Referencia STA Part N° STA	€
6	L	Z KVL 6	67,78	Z STA KVL 6	59,26
8	L	Z KVL 8	70,36	Z STA KVL 8	60,47
10	L	Z KVL 10	97,99	Z STA KVL 10	85,14
12	L	Z KVL 12	85,11	Z STA KVL 12	68,42
15	L	Z KVL 15	137,04	Z STA KVL 15	121,59
18	L	Z KVL 18	146,55	Z STA KVL 18	132,57
22	L	Z KVL 22	193,53	Z STA KVL 22	159,86
28	L	Z KVL 28	238,00	Z STA KVL 28	175,19
35	L	Z KVL 35	682,58	Z STA KVL 35	494,23
42	L	Z KVL 42	664,00	Z STA KVL 42	494,95
6	S	Z KVS 6	79,69	Z STA KVS 6	59,64
8	S	Z KVS 8	80,58	Z STA KVS 8	70,27
10	S	Z KVS 10	91,39	Z STA KVS 10	74,47
12	S	Z KVS 12	113,82	Z STA KVS 12	94,46
14	S	Z KVS 14	189,37	Z STA KVS 14	145,65
16	S	Z KVS 16	154,13	Z STA KVS 16	120,76
20	S	Z KVS 20	194,36	Z STA KVS 20	155,27
25	S	Z KVS 25	284,05	Z STA KVS 25	161,44
30	S	Z KVS 30	448,90	Z STA KVS 30	257,73
38	S	Z KVS 38	670,43	Z STA KVS 38	447,32

RACORES DIN 2353

DIN 2353 Pipe fittings
Raccords à bague DIN 2353
Raccordi DIN 2353

Racor recto rosca cilíndrica BSP cono 60°

Straight male stud coupling BSP cyl. 60°

Raccord Union simple mâle gaz cylindrique 60°

Raccordo di estremità diritto BSP 60°



Racor recto rosca cilíndrica BSP con junta

Straight male stud coupling BSP cylindrical with captive seal

Raccord union simple mâle gaz cylindrique avec joint plat

Raccordo di estremità diritto BSP con guarnizione



TUBO PIPE	ROSCA THREAD	SERIE SERIES	Referencia Part n°	€	Referencia STA Part N° STA	€
6	1/8" BSP	L	Z AL 6 RC 1/8	9,27	Z STA AL 6 RC 1/8	6,24
6	1/4" BSP	L	Z AL 6 RC 1/4	14,05	Z STA AL 6 RC 1/4	11,60
6	3/8" BSP	L	Z AL 6 RC 3/8	27,14	Z STA AL 6 RC 3/8	22,80
6	1/2" BSP	L	Z AL 6 RC 1/2	38,42	Z STA AL 6 RC 1/2	34,08
8	1/8" BSP	L	Z AL 8 RC 1/8	17,60	Z STA AL 8 RC 1/8	12,69
8	1/4" BSP	L	Z AL 8 RC 1/4	15,78	Z STA AL 8 RC 1/4	10,87
8	3/8" BSP	L	Z AL 8 RC 3/8	19,21	Z STA AL 8 RC 3/8	14,30
8	1/2" BSP	L	Z AL 8 RC 1/2	32,07	Z STA AL 8 RC 1/2	27,16
10	1/8" BSP	L	Z AL 10 RC 1/8	14,80	Z STA AL 10 RC 1/8	9,16
10	1/4" BSP	L	Z AL 10 RC 1/4	13,54	Z STA AL 10 RC 1/4	7,86
10	3/8" BSP	L	Z AL 10 RC 3/8	17,18	Z STA AL 10 RC 3/8	13,43
10	1/2" BSP	L	Z AL 10 RC 1/2	23,10	Z STA AL 10 RC 1/2	17,20
12	1/4" BSP	L	Z AL 12 RC 1/4	15,70	Z STA AL 12 RC 1/4	10,97
12	3/8" BSP	L	Z AL 12 RC 3/8	15,07	Z STA AL 12 RC 3/8	11,44
12	1/2" BSP	L	Z AL 12 RC 1/2	20,92	Z STA AL 12 RC 1/2	14,63
15	3/8" BSP	L	Z AL 15 RC 3/8	21,30	Z STA AL 15 RC 3/8	14,82
15	1/2" BSP	L	Z AL 15 RC 1/2	22,12	Z STA AL 15 RC 1/2	14,62
15	3/4" BSP	L	Z AL 15 RC 3/4	35,38	Z STA AL 15 RC 3/4	26,85
18	1/2" BSP	L	Z AL 18 RC 1/2	34,15	Z STA AL 18 RC 1/2	22,66
18	3/4" BSP	L	Z AL 18 RC 3/4	34,48	Z STA AL 18 RC 3/4	25,05
22	3/8" BSP	L	Z AL 22 RC 3/8	44,46	Z STA AL 22 RC 3/8	29,14
22	1/2" BSP	L	Z AL 22 RC 1/2	46,82	Z STA AL 22 RC 1/2	31,50
22	3/4" BSP	L	Z AL 22 RC 3/4	37,48	Z STA AL 22 RC 3/4	22,65
22	1" BSP	L	Z AL 22 RC 1	53,59	Z STA AL 22 RC 1	38,27
28	3/4" BSP	L	Z AL 28 RC 3/4	59,54	Z STA AL 28 RC 3/4	31,43
28	1" BSP	L	Z AL 28 RC 1	63,06	Z STA AL 28 RC 1	34,22
35	1" 1/4 BSP	L	Z AL 35 RC 1 1/4	123,56	Z STA AL 35 RC 1 1/4	76,41
35	1" 1/2 BSP	L	Z AL 35 RC 1 1/2	114,20	Z STA AL 35 RC 1 1/2	68,00
42	1" 1/4 BSP	L	Z AL 42 RC 1 1/4	151,46	Z STA AL 42 RC 1 1/4	93,47
42	1" 1/2 BSP	L	Z AL 42 RC 1 1/2	137,73	Z STA AL 42 RC 1 1/2	79,74
6	1/4" BSP	S	Z AS 6 RC 1/4	24,30	Z STA AS 6 RC 1/4	19,23
6	3/8" BSP	S	Z AS 6 RC 3/8	20,07	Z STA AS 6 RC 3/8	15,00
8	1/4" BSP	S	Z AS 8 RC 1/4	15,70	Z STA AS 8 RC 1/4	10,81
8	3/8" BSP	S	Z AS 8 RC 3/8	19,15	Z STA AS 8 RC 3/8	13,64
8	1/2" BSP	S	Z AS 8 RC 1/2	34,51	Z STA AS 8 RC 1/2	29,01
10	1/4" BSP	S	Z AS 10 RC 1/4	17,67	Z STA AS 10 RC 1/4	11,30
10	3/8" BSP	S	Z AS 10 RC 3/8	27,74	Z STA AS 10 RC 3/8	20,83
10	1/2" BSP	S	Z AS 10 RC 1/2	34,53	Z STA AS 10 RC 1/2	27,62
12	1/4" BSP	S	Z AS 12 RC 1/4	24,02	Z STA AS 12 RC 1/4	16,70
12	3/8" BSP	S	Z AS 12 RC 3/8	22,31	Z STA AS 12 RC 3/8	14,86
12	1/2" BSP	S	Z AS 12 RC 1/2	27,69	Z STA AS 12 RC 1/2	20,23
14	3/8" BSP	S	Z AS 14 RC 3/8	39,45	Z STA AS 14 RC 3/8	28,46
14	1/2" BSP	S	Z AS 14 RC 1/2	37,81	Z STA AS 14 RC 1/2	26,82
16	3/8" BSP	S	Z AS 16 RC 3/8	30,16	Z STA AS 16 RC 3/8	23,93
16	1/2" BSP	S	Z AS 16 RC 1/2	27,16	Z STA AS 16 RC 1/2	17,38
16	3/4" BSP	S	Z AS 16 RC 3/4	42,88	Z STA AS 16 RC 3/4	30,78
20	3/8" BSP	S	Z AS 20 RC 3/8	48,44	Z STA AS 20 RC 3/8	31,56
20	1/2" BSP	S	Z AS 20 RC 1/2	40,60	Z STA AS 20 RC 1/2	25,80
20	3/4" BSP	S	Z AS 20 RC 3/4	48,39	Z STA AS 20 RC 3/4	31,36
20	1" BSP	S	Z AS 20 RC 1	67,62	Z STA AS 20 RC 1	50,59
25	3/4" BSP	S	Z AS 25 RC 3/4	78,11	Z STA AS 25 RC 3/4	41,98
25	1" BSP	S	Z AS 25 RC 1	79,92	Z STA AS 25 RC 1	43,79
25	1" 1/4 BSP	S	Z AS 25 RC 1 1/4	114,80	Z STA AS 25 RC 1 1/4	78,67
30	1" BSP	S	Z AS 30 RC 1	114,12	Z STA AS 30 RC 1	66,26
30	1" 1/4 BSP	S	Z AS 30 RC 1 1/4	131,76	Z STA AS 30 RC 1 1/4	83,91
30	1" 1/2 BSP	S	Z AS 30 RC 1 1/2	112,59	Z STA AS 30 RC 1 1/2	73,20
38	1" 1/4 BSP	S	Z AS 38 RC 1 1/4	155,19	Z STA AS 38 RC 1 1/4	86,99
38	1" 1/2 BSP	S	Z AS 38 RC 1 1/2	167,19	Z STA AS 38 RC 1 1/2	99,00

TUBO PIPE	SERIE SERIES	ROSCA THREAD	Referencia Part n°	€	Referencia STA Part N° STA	€
6	L	1/8" BSP	Z AL 6 R 1/8WD	12,16	Z STA AL 6 R 1/8WD	10,59
6	L	1/4" BSP	Z AL 6 R 1/4WD	15,26	Z STA AL 6 R 1/4WD	12,72
6	L	3/8" BSP	Z AL 6 R 3/8WD	18,13	Z STA AL 6 R 3/8WD	13,79
8	L	1/8" BSP	Z AL 8 R 1/8WD	14,63	Z STA AL 8 R 1/8WD	11,32
8	L	1/4" BSP	Z AL 8 R 1/4WD	14,69	Z STA AL 8 R 1/4WD	10,60
8	L	3/8" BSP	Z AL 8 R 3/8WD	17,20	Z STA AL 8 R 3/8WD	14,37
8	L	1/2" BSP	Z AL 8 R 1/2WD	22,89	Z STA AL 8 R 1/2WD	17,98
10	L	1/8" BSP	Z AL 10 R 1/8WD	16,70	Z STA AL 10 R 1/8WD	15,16
10	L	1/4" BSP	Z AL 10 R 1/4WD	15,83	Z STA AL 10 R 1/4WD	11,63
10	L	3/8" BSP	Z AL 10 R 3/8WD	17,41	Z STA AL 10 R 3/8WD	15,29
10	L	1/2" BSP	Z AL 10 R 1/2WD	22,71	Z STA AL 10 R 1/2WD	20,35
12	L	1/4" BSP	Z AL 12 R 1/4WD	17,61	Z STA AL 12 R 1/4WD	13,89
12	L	3/8" BSP	Z AL 12 R 3/8WD	17,77	Z STA AL 12 R 3/8WD	13,70
12	L	1/2" BSP	Z AL 12 R 1/2WD	21,80	Z STA AL 12 R 1/2WD	18,29
15	L	3/8" BSP	Z AL 15 R 3/8WD	24,62	Z STA AL 15 R 3/8WD	17,88
15	L	1/2" BSP	Z AL 15 R 1/2WD	25,22	Z STA AL 15 R 1/2WD	16,70
15	L	3/4" BSP	Z AL 15 R 3/4WD	33,04	Z STA AL 15 R 3/4WD	24,95
18	L	3/8" BSP	Z AL 18 R 3/8WD	39,18	Z STA AL 18 R 3/8WD	27,45
18	L	1/2" BSP	Z AL 18 R 1/2WD	27,15	Z STA AL 18 R 1/2WD	16,55
18	L	3/4" BSP	Z AL 18 R 3/4WD	35,77	Z STA AL 18 R 3/4WD	27,51
22	L	1/2" BSP	Z AL 22 R 1/2WD	44,79	Z STA AL 22 R 1/2WD	29,47
22	L	3/4" BSP	Z AL 22 R 3/4WD	34,60	Z STA AL 22 R 3/4WD	22,09
22	L	1" BSP	Z AL 22 R 1WD	53,29	Z STA AL 22 R 1WD	40,42
28	L	3/4" BSP	Z AL 28 R 3/4WD	63,92	Z STA AL 28 R 3/4WD	38,61
28	L	1" BSP	Z AL 28 R 1WD	57,41	Z STA AL 28 R 1WD	34,17
35	L	1" BSP	Z AL 35 R 1WD	103,70	Z STA AL 35 R 1WD	56,55
35	L	1" 1/4 BSP	Z AL 35 R 1 1/4WD	94,59	Z STA AL 35 R 1 1/4WD	67,69
42	L	1" 1/2 BSP	Z AL 42 R 1 1/2WD	126,58	Z STA AL 42 R 1 1/2WD	73,58
6	S	1/4" BSP	Z AS 6 R 1/4WD	21,49	Z STA AS 6 R 1/4WD	16,57
8	S	1/4" BSP	Z AS 8 R 1/4WD	18,26	Z STA AS 8 R 1/4WD	14,52
8	S	3/8" BSP	Z AS 8 R 3/8WD	22,93	Z STA AS 8 R 3/8WD	18,10
8	S	1/2" BSP	Z AS 8 R 1/2WD	29,05	Z STA AS 8 R 1/2WD	23,55
10	S	1/4" BSP	Z AS 10 R 1/4WD	19,53	Z STA AS 10 R 1/4WD	15,68
10	S	3/8" BSP	Z AS 10 R 3/8WD	24,25	Z STA AS 10 R 3/8WD	19,32
10	S	1/2" BSP	Z AS 10 R 1/2WD	32,80	Z STA AS 10 R 1/2WD	25,90
12	S	1/4" BSP	Z AS 12 R 1/4WD	26,38	Z STA AS 12 R 1/4WD	19,82
12	S	3/8" BSP	Z AS 12 R 3/8WD	21,13	Z STA AS 12 R 3/8WD	13,67
12	S	1/2" BSP	Z AS 12 R 1/2WD	27,98	Z STA AS 12 R 1/2WD	23,60
14	S	3/8" BSP	Z AS 14 R 3/8WD	34,74	Z STA AS 14 R 3/8WD	27,68
14	S	1/2" BSP	Z AS 14 R 1/2WD	30,23	Z STA AS 14 R 1/2WD	23,04
16	S	3/8" BSP	Z AS 16 R 3/8WD	30,84	Z STA AS 16 R 3/8WD	20,80
16	S	1/2" BSP	Z AS 16 R 1/2WD	29,81	Z STA AS 16 R 1/2WD	19,10
16	S	3/4" BSP	Z AS 16 R 3/4WD	37,44	Z STA AS 16 R 3/4WD	27,62
20	S	1/2" BSP	Z AS 20 R 1/2WD	39,46	Z STA AS 20 R 1/2WD	26,96
20	S	3/4" BSP	Z AS 20 R 3/4WD	39,55	Z STA AS 20 R 3/4WD	26,61
25	S	3/4" BSP	Z AS 25 R 3/4WD	66,98	Z STA AS 25 R 3/4WD	47,42
25	S	1" BSP	Z AS 25 R 1WD	68,65	Z STA AS 25 R 1WD	53,47
25	S	1" 1/4 BSP	Z AS 25 R 1 1/4WD	114,91	Z STA AS 25 R 1 1/4WD	78,78
30	S	1" BSP	Z AS 30 R 1WD	98,28	Z STA AS 30 R 1WD	50,43
30	S	1" 1/4 BSP	Z AS 30 R 1 1/4WD	109,18	Z STA AS 30 R 1 1/4WD	67,00
30	S	1" 1/2 BSP	Z AS 30 R 1 1/2WD	168,86	Z STA AS 30 R 1 1/2WD	121,01
38	S	1" 1/4 BSP	Z AS 38 R 1 1/4WD	151,29	Z STA AS 38 R 1 1/4WD	94,25
38	S	1" 1/2 BSP	Z AS 38 R 1 1/2WD	147,76	Z STA AS 38 R 1 1/2WD	84,84

RACORES DIN 2353

DIN 2353 Pipe fittings
Raccords à bague DIN 2353
Raccordi DIN 2353

Racor recto rosca cilíndrica BSP

Straight male stud coupling BSP cylindrical

Raccord union simple gaz cylindrique mâle

Raccordo di estremità diritto BSP



TUBO PIPE	SERIE SERIES	ROSCA THREAD	Referencia Part n°	€	Referencia STA Part N° STA	€
10	L	1/8" BSP	Z AL 10 R 1/8	14,80	---	*
15	L	3/4" BSP	Z AL 15 R 3/4	29,11	---	*
18	L	1/2" BSP	Z AL 18 R 1/2	25,25	Z STA AL 18 R 1/2	20,26
6	S	1/4" BSP	Z AS 6 R 1/4	18,51	Z STA AS 6 R 1/4	13,43
6	S	3/8" BSP	Z AS 6 R 3/8	20,07	---	*
8	S	1/4" BSP	Z AS 8 R 1/4	15,10	Z STA AS 8 R 1/4	11,01
8	S	1/2" BSP	Z AS 8 R 1/2	27,25	---	*
10	S	1/4" BSP	Z AS 10 R 1/4	16,99	Z STA AS 10 R 1/4	12,16
10	S	3/8" BSP	Z AS 10 R 3/8	17,40	Z STA AS 10 R 3/8	13,34
10	S	1/2" BSP	Z AS 10 R 1/2	31,74	Z STA AS 10 R 1/2	17,85
12	S	1/4" BSP	Z AS 12 R 1/4	20,88	Z STA AS 12 R 1/4	16,06
14	S	1/2" BSP	Z AS 14 R 1/2	26,56	Z STA AS 14 R 1/2	19,00
30	S	1" 1/2 BSP	Z AS 30 R 1 1/2	130,29	---	*
38	S	1" 1/4 BSP	Z AS 38 R 1 1/4	127,89	Z STA AS 38 R 1 1/4	86,04

Hasta fin de existencias / Until end of stock / Jusqu'à la fin du stock / Fino ad esaurimento

Racor recto rosca cilíndrica Métrica con junta

Straight male stud coupling Metric cylindrical with captive seal

Raccord union simple mâle cylindrique Métrique avec joint plat

Raccordo di estremità diritto Metrico con guarnizione



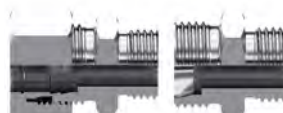
TUBO PIPE	SERIE SERIES	ROSCA THREAD	Referencia Part n°	€	Referencia STA Part N° STA	€
6	L	M10x1	Z AL 6 M 10X1 WD	11,98	Z STA AL 6 M 10X1 WD	8,17
8	L	M12x1.5	Z AL 8 M 12X1.5 WD	16,73	Z STA AL 8 M 12X1.5 WD	12,09
10	L	M12x1.5	Z AL 10 M 12X1.5 WD	22,21	Z STA AL 10 M 12X1.5 WD	16,31
10	L	M14x1.5	Z AL 10 M 14X1.5 WD	21,64	Z STA AL 10 M 14X1.5 WD	16,34
10	L	M16x1.5	Z AL 10 M 16X1.5 WD	21,87	Z STA AL 10 M 16X1.5 WD	15,97
12	L	M16x1.5	Z AL 12 M 16X1.5 WD	23,98	Z STA AL 12 M 16X1.5 WD	17,57
12	L	M18x1.5	Z AL 12 M 18X1.5 WD	21,64	Z STA AL 12 M 18X1.5 WD	16,46
12	L	M22x1.5	Z AL 12 M 22X1.5 WD	28,66	Z STA AL 12 M 22X1.5 WD	24,18
15	L	M18x1.5	Z AL 15 M 18X1.5 WD	31,46	Z STA AL 15 M 18X1.5 WD	22,94
18	L	M22x1.5	Z AL 18 M 22X1.5 WD	37,52	Z STA AL 18 M 22X1.5 WD	25,79
22	L	M26x1.5	Z AL 22 M 26X1.5 WD	47,95	Z STA AL 22 M 26X1.5 WD	32,64
28	L	M33x2	Z AL 28 M 33X2 WD	67,61	Z STA AL 28 M 33X2 WD	40,72
35	L	M42x2	Z AL 35 M 42X2 WD	113,46	Z STA AL 35 M 42X2 WD	66,31
42	L	M48x2	Z AL 42 M 48X2 WD	154,00	Z STA AL 42 M 48X2 WD	96,01
6	S	M12x1.5	Z AS 6 M 12X1.5 WD	25,00	Z STA AS 6 M 12X1.5 WD	19,92
6	S	M14x1.5	Z AS 6 M 14X1.5 WD	24,71	Z STA AS 6 M 14X1.5 WD	19,63
8	S	M14x1.5	Z AS 8 M 14X1.5 WD	27,70	Z STA AS 8 M 14X1.5 WD	22,20
10	S	M16x1.5	Z AS 10 M 16X1.5 WD	26,75	Z STA AS 10 M 16X1.5 WD	19,84
12	S	M14x1.5	Z AS 12 M 14X1.5 WD	28,36	Z STA AS 12 M 14X1.5 WD	20,91
12	S	M18x1.5	Z AS 12 M 18X1.5 WD	25,61	Z STA AS 12 M 18X1.5 WD	20,50
14	S	M20x1.5	Z AS 14 M 20X1.5 WD	39,51	Z STA AS 14 M 20X1.5 WD	28,52
16	S	M22x1.5	Z AS 16 M 22X1.5 WD	37,58	Z STA AS 16 M 22X1.5 WD	26,85
20	S	M27x2	Z AS 20 M 27X2 WD	50,74	Z STA AS 20 M 27X2 WD	33,70
25	S	M33x2	Z AS 25 M 33X2 WD	85,24	Z STA AS 25 M 33X2 WD	49,12
30	S	M42x2	Z AS 30 M 42X2 WD	112,11	Z STA AS 30 M 42X2 WD	64,26
38	S	M48x2	Z AS 38 M 48X2 WD	162,07	Z STA AS 38 M 48X2 WD	93,88

Racor recto rosca UNF

Straight male stud coupling UNF

Raccord union simple mâle UNF

Raccordo di estremità diritto UNF



TUBO PIPE	SERIE SERIES	ROSCA THREAD	Referencia Part n°	€	Referencia STA Part N° STA	€
8	L	7/16" UNF	Z AL 8 7/16 UNF	25,17	Z STA AL 8 7/16 UNF	20,26
10	L	7/16" UNF	Z AL 10 7/16 UNF	26,77	Z STA AL 10 7/16 UNF	20,87
12	L	3/4" UNF	Z AL 12 3/4 UNF	27,83	Z STA AL 12 3/4 UNF	21,22
12	L	9/16" UNF	Z AL 12 9/16 UNF	23,76	Z STA AL 12 9/16 UNF	17,14
15	L	3/4" UNF	Z AL 15 3/4 UNF	37,48	Z STA AL 15 3/4 UNF	28,95
18	L	7/8" UNF	Z AL 18 7/8 UNF	38,52	Z STA AL 18 7/8 UNF	26,79
22	L	1" 1/16 UNF	Z AL 22 1 1/16 UNF	47,41	Z STA AL 22 1 1/16 UNF	32,09
28	L	1" 5/16 UNF	Z AL 28 1 5/16 UNF	76,15	Z STA AL 28 1 5/16 UNF	48,38
35	L	1" 5/8 UNF	Z AL 35 1 5/8 UNF	136,42	Z STA AL 35 1 5/8 UNF	89,27
8	S	7/16" UNF	Z AS 8 7/16 UNF	24,10	Z STA AS 8 7/16 UNF	18,59
10	S	9/16" UNF	Z AS 10 9/16 UNF	26,35	Z STA AS 10 9/16 UNF	19,45
12	S	9/16" UNF	Z AS 12 9/16 UNF	28,08	Z STA AS 12 9/16 UNF	21,49
16	S	3/4" UNF	Z AS 16 3/4 UNF	42,02	Z STA AS 16 3/4 UNF	29,92
20	S	7/8" UNF	Z AS 20 7/8 UNF	57,91	Z STA AS 20 7/8 UNF	40,87
30	S	1" 5/16 UNF	Z AS 30 1 5/16 UNF	125,01	Z STA AS 30 1 5/16 UNF	77,15
25	S	1" 5/16 UNF	Z AS 25 1 5/16 UNF	95,75	Z STA AS 25 1 5/16 UNF	99,00
38	S	1" 5/8 UNF	Z AS 38 1 5/8 UNF	206,88	Z STA AS 38 1 5/8 UNF	138,68

RACORES DIN 2353

DIN 2353 Pipe fittings
Raccords à bague DIN 2353
Raccordi DIN 2353

Racor recto rosca cónica NPT

Straight male stud coupling NPT

Raccord union simple mâle NPT

Raccordo di estremità diritto NPT



TUBO PIPE	SERIE SERIES	ROSCA THREAD	Referencia Part n°	€	Referencia STA Part N° STA	€
6	L	1/8"NPT	Z AKL 6 1/8 NPT	12,75	Z STA AKL 6 1/8 NPT	9,95
6	L	1/4"NPT	Z AKL 6 1/4 NPT	18,79	Z STA AKL 6 1/4 NPT	15,06
6	L	3/8"NPT	Z AKL 6 3/8 NPT	20,53	Z STA AKL 6 3/8 NPT	16,19
8	L	1/8"NPT	Z AKL 8 1/8 NPT	13,91	Z STA AKL 8 1/8 NPT	10,75
8	L	1/4"NPT	Z AKL 8 1/4 NPT	14,65	Z STA AKL 8 1/4 NPT	10,79
8	L	3/8"NPT	Z AKL 8 3/8 NPT	19,09	Z STA AKL 8 3/8 NPT	14,67
8	L	1/2"NPT	Z AKL 8 1/2 NPT	22,31	Z STA AKL 8 1/2 NPT	17,40
10	L	1/4"NPT	Z AKL 10 1/4 NPT	15,24	Z STA AKL 10 1/4 NPT	11,11
10	L	3/8"NPT	Z AKL 10 3/8 NPT	18,48	Z STA AKL 10 3/8 NPT	12,59
10	L	1/2"NPT	Z AKL 10 1/2 NPT	25,13	Z STA AKL 10 1/2 NPT	20,48
12	L	1/4"NPT	Z AKL 12 1/4 NPT	17,37	Z STA AKL 12 1/4 NPT	14,03
12	L	3/8"NPT	Z AKL 12 3/8 NPT	19,20	Z STA AKL 12 3/8 NPT	14,36
12	L	1/2"NPT	Z AKL 12 1/2 NPT	20,79	Z STA AKL 12 1/2 NPT	16,23
15	L	3/8"NPT	Z AKL 15 3/8 NPT	26,03	Z STA AKL 15 3/8 NPT	20,13
15	L	1/2"NPT	Z AKL 15 1/2 NPT	26,78	Z STA AKL 15 1/2 NPT	20,17
18	L	1/2"NPT	Z AKL 18 1/2 NPT	33,32	Z STA AKL 18 1/2 NPT	25,39
18	L	3/4"NPT	Z AKL 18 3/4 NPT	41,94	Z STA AKL 18 3/4 NPT	30,21
22	L	3/4"NPT	Z AKL 22 3/4 NPT	43,94	Z STA AKL 22 3/4 NPT	28,62
28	L	1"NPT	Z AKL 28 1 NPT	68,14	Z STA AKL 28 1 NPT	39,30
35	L	1 1/4"NPT	Z AKL 35 1 1/4 NPT	96,41	Z STA AKL 35 1 1/4 NPT	49,26
42	L	1 1/2"NPT	Z AKL 42 1 1/2 NPT	141,82	Z STA AKL 42 1 1/2 NPT	84,33
6	S	1/8"NPT	Z AKS 6 1/8 NPT	20,69	Z STA AKS 6 1/8 NPT	15,61
6	S	1/4"NPT	Z AKS 6 1/4 NPT	18,13	Z STA AKS 6 1/4 NPT	13,16
6	S	3/8"NPT	Z AKS 6 3/8 NPT	25,67	Z STA AKS 6 3/8 NPT	21,33
8	S	1/4"NPT	Z AKS 8 1/4 NPT	19,03	Z STA AKS 8 1/4 NPT	13,88
8	S	3/8"NPT	Z AKS 8 3/8 NPT	28,36	Z STA AKS 8 3/8 NPT	22,86
8	S	1/2"NPT	Z AKS 8 1/2 NPT	25,60	Z STA AKS 8 1/2 NPT	20,10
10	S	1/4"NPT	Z AKS 10 1/4 NPT	22,23	Z STA AKS 10 1/4 NPT	15,32
10	S	3/8"NPT	Z AKS 10 3/8 NPT	21,87	Z STA AKS 10 3/8 NPT	14,96
10	S	1/2"NPT	Z AKS 10 1/2 NPT	27,55	Z STA AKS 10 1/2 NPT	20,67
12	S	1/4"NPT	Z AKS 12 1/4 NPT	25,74	Z STA AKS 12 1/4 NPT	18,28
12	S	3/8"NPT	Z AKS 12 3/8 NPT	26,63	Z STA AKS 12 3/8 NPT	19,17
12	S	1/2"NPT	Z AKS 12 1/2 NPT	27,08	Z STA AKS 12 1/2 NPT	19,63
14	S	1/2"NPT	Z AKS 14 1/2 NPT	35,12	Z STA AKS 14 1/2 NPT	25,64
16	S	1/2"NPT	Z AKS 16 1/2 NPT	33,62	Z STA AKS 16 1/2 NPT	26,23
16	S	3/4"NPT	Z AKS 16 3/4 NPT	39,85	Z STA AKS 16 3/4 NPT	27,74
20	S	1/2"NPT	Z AKS 20 1/2 NPT	49,39	Z STA AKS 20 1/2 NPT	32,35
20	S	3/4"NPT	Z AKS 20 3/4 NPT	61,99	Z STA AKS 20 3/4 NPT	47,48
20	S	1"NPT	Z AKS 20 1 NPT	70,57	Z STA AKS 20 1 NPT	53,54
25	S	3/4"NPT	Z AKS 25 3/4 NPT	91,55	Z STA AKS 25 3/4 NPT	55,42
25	S	1"NPT	Z AKS 25 1 NPT	82,25	Z STA AKS 25 1 NPT	47,47
30	S	1"NPT	Z AKS 30 1 NPT	126,44	Z STA AKS 30 1 NPT	80,61
30	S	1 1/4"NPT	Z AKS 30 1 1/4 NPT	111,73	Z STA AKS 30 1 1/4 NPT	63,87
38	S	1 1/2"NPT	Z AKS 38 1 1/2 NPT	156,97	Z STA AKS 38 1 1/2 NPT	93,28

Racor recto rosca cónica BSPT

Straight male stud coupling BSPT

Raccord union simple mâle conique

Raccordo di estremità diritto BSP conico



TUBO PIPE	SERIE SERIES	ROSCA THREAD	Referencia Part n°	€	Referencia STA Part N° STA	€
6	LL	1/8" BSPT	Z AKLL 6 R 1/8	*	---	*
8	LL	1/8" BSPT	Z AKLL 8 R 1/8	*	---	*
6	L	1/8" BSPT	Z AKL 6 R 1/8	12,15	Z STA AKL 6 R 1/8	9,26
6	L	1/4" BSPT	Z AKL 6 R 1/4	13,49	Z STA AKL 6 R 1/4	9,15
8	L	1/8" BSPT	Z AKL 8 R 1/8	15,21	Z STA AKL 8 R 1/8	10,30
8	L	1/4" BSPT	Z AKL 8 R 1/4	13,47	Z STA AKL 8 R 1/4	9,49
6	L	3/8" BSPT	Z AKL 6 R 3/8	21,50	Z STA AKL 6 R 3/8	17,16
8	L	3/8" BSPT	Z AKL 8 R 3/8	17,20	Z STA AKL 8 R 3/8	12,29
10	L	1/4" BSPT	Z AKL 10 R 1/4	14,46	Z STA AKL 10 R 1/4	10,63
10	L	3/8" BSPT	Z AKL 10 R 3/8	14,83	Z STA AKL 10 R 3/8	10,54
10	L	1/2" BSPT	Z AKL 10 R 1/2	21,06	Z STA AKL 10 R 1/2	15,16
12	L	1/4" BSPT	Z AKL 12 R 1/4	17,40	Z STA AKL 12 R 1/4	13,53
12	L	3/8" BSPT	Z AKL 12 R 3/8	16,25	Z STA AKL 12 R 3/8	13,39
12	L	1/2" BSPT	Z AKL 12 R 1/2	19,08	Z STA AKL 12 R 1/2	14,82
15	L	3/8" BSPT	Z AKL 15 R 3/8	25,15	Z STA AKL 15 R 3/8	18,92
15	L	1/2" BSPT	Z AKL 15 R 1/2	24,10	Z STA AKL 15 R 1/2	17,29
18	L	1/2" BSPT	Z AKL 18 R 1/2	27,96	Z STA AKL 18 R 1/2	19,29
22	L	3/4" BSPT	Z AKL 22 R 3/4	36,97	Z STA AKL 22 R 3/4	24,36
28	L	1" BSPT	Z AKL 28 R 1	63,75	Z STA AKL 28 R 1	48,38
35	L	1 1/4" BSPT	Z AKL 35 R 1 1/4	96,86	Z STA AKL 35 R 1 1/4	54,98
42	L	1 1/2" BSPT	Z AKL 42 R 1 1/2	115,07	Z STA AKL 42 R 1 1/2	64,29
6	S	1/4" BSPT	Z AKS 6 R 1/4	17,85	Z STA AKS 6 R 1/4	12,77
8	S	1/4" BSPT	Z AKS 8 R 1/4	16,57	Z STA AKS 8 R 1/4	11,88
10	S	3/8" BSPT	Z AKS 10 R 3/8	32,96	Z STA AKS 10 R 3/8	26,05
14	S	1/2" BSPT	Z AKS 14 R 1/2	62,37	Z STA AKS 14 R 1/2	51,38
16	S	1/2" BSPT	Z AKS 16 R 1/2	37,95	Z STA AKS 16 R 1/2	25,84
20	S	3/4" BSPT	Z AKS 20 R 3/4	54,08	Z STA AKS 20 R 3/4	37,04
25	S	1" BSPT	Z AKS 25 R 1	87,22	Z STA AKS 25 R 1	51,09
30	S	1 1/4" BSPT	Z AKS 30 R 1 1/4	209,93	Z STA AKS 30 R 1 1/4	162,08

Racor recto rosca cónica Métrica

Straight male stud coupling Metric

Raccord union simple mâle Métrique conique

Raccordo di estremità diritto Metrico conico



TUBO PIPE	SERIE SERIES	ROSCA THREAD	Referencia Part n°	€
6	LL	M10X1	Z AKLL 6 M10X1	16,21
6	L	M10X1	Z AKL 6 M 10X1	16,35
8	L	M12X1.5	Z AKL 8 M 12X1.5	21,08
10	L	M14X1.5	Z AKL 10 M 14X1.5	23,48
12	L	M16X1.5	Z AKL 12 M 16X1.5	25,67
15	L	M18X1.5	Z AKL 15 M 18X1.5	35,12
18	L	M22X1.5	Z AKL 18 M 22X1.5	45,93
22	L	M26X1.5	Z AKL 22 M 26X1.5	38,36

RACORES DIN 2353

DIN 2353 Pipe fittings
Raccords à bague DIN 2353
Raccordi DIN 2353

Racor en codo rosca cónica BSPT

Male stud elbow BSPT

Raccord union coude mâle gaz conique

Raccordo di estremità a 90° BSP conico



TUBO PIPE	SERIE SERIES	ROSCA THREAD	Referencia Part n°	€	Referencia STA Part N° STA	€
6	LL	1/8" BSPT	Z CKLL 6 R 1/8	24,62	---	*
6	L	1/8" BSPT	Z CKL 6 R 1/8	19,30	Z STA CKL 6 R 1/8	14,96
6	L	1/4" BSPT	Z CKL 6 R 1/4	18,80	Z STA CKL 6 R 1/4	14,46
8	L	1/8" BSPT	Z CKL 8 R 1/8	22,76	Z STA CKL 8 R 1/8	19,89
8	L	1/4" BSPT	Z CKL 8 R 1/4	20,72	Z STA CKL 8 R 1/4	18,81
8	L	3/8" BSPT	Z CKL 8 R 3/8	27,79	Z STA CKL 8 R 3/8	24,21
8	L	1/2" BSPT	Z CKL 8 R 1/2	39,12	Z STA CKL 8 R 1/2	34,21
10	L	1/8" BSPT	Z CKL 10 R 1/8	32,64	Z STA CKL 10 R 1/8	31,66
10	L	1/4" BSPT	Z CKL 10 R 1/4	23,28	Z STA CKL 10 R 1/4	19,96
10	L	3/8" BSPT	Z CKL 10 R 3/8	24,41	Z STA CKL 10 R 3/8	21,51
10	L	1/2" BSPT	Z CKL 10 R 1/2	29,10	Z STA CKL 10 R 1/2	23,20
12	L	1/4" BSPT	Z CKL 12 R 1/4	27,72	Z STA CKL 12 R 1/4	22,17
12	L	3/8" BSPT	Z CKL 12 R 3/8	27,96	Z STA CKL 12 R 3/8	24,39
12	L	1/2" BSPT	Z CKL 12 R 1/2	31,00	Z STA CKL 12 R 1/2	30,35
15	L	3/8" BSPT	Z CKL 15 R 3/8	51,03	Z STA CKL 15 R 3/8	42,51
15	L	1/2" BSPT	Z CKL 15 R 1/2	40,47	Z STA CKL 15 R 1/2	31,95
18	L	1/2" BSPT	Z CKL 18 R 1/2	53,93	Z STA CKL 18 R 1/2	42,75
22	L	3/4" BSPT	Z CKL 22 R 3/4	89,72	Z STA CKL 22 R 3/4	77,17
28	L	1" BSPT	Z CKL 28 R 1	192,05	Z STA CKL 28 R 1	163,21
35	L	1 1/4" BSPT	Z CKL 35 R 1 1/4	333,80	Z STA CKL 35 R 1 1/4	286,65
6	S	1/4" BSPT	Z CKS 6 R 1/4	27,00	Z STA CKS 6 R 1/4	21,93
8	S	1/4" BSPT	Z CKS 8 R 1/4	27,18	Z STA CKS 8 R 1/4	23,30
8	S	3/8" BSPT	Z CKS 8 R 3/8 *	37,15	---	*
8	S	1/2" BSPT	Z CKS 8 R 1/2	37,01	Z STA CKS 8 R 1/2	31,51
10	S	1/4" BSPT	Z CKS 10 R 1/4	40,80	Z STA CKS 10 R 1/4	35,10
10	S	3/8" BSPT	Z CKS 10 R 3/8	32,69	Z STA CKS 10 R 3/8	25,78
10	S	1/2" BSPT	Z CKS 10 R 1/2 *	50,89	---	*
12	S	3/8" BSPT	Z CKS 12 R 3/8	38,98	Z STA CKS 12 R 3/8	33,34
14	S	1/2" BSPT	Z CKS 14 R 1/2	51,84	Z STA CKS 14 R 1/2	40,85
16	S	1/2" BSPT	Z CKS 16 R 1/2	61,23	Z STA CKS 16 R 1/2	49,12
20	S	3/4" BSPT	Z CKS 20 R 3/4	91,43	Z STA CKS 20 R 3/4	74,56
25	S	1" BSPT	Z CKS 25 R 1	159,48	Z STA CKS 25 R 1	134,28
30	S	1 1/4" BSPT	Z CKS 30 R 1 1/4	337,43	Z STA CKS 30 R 1 1/4	289,58
38	S	1 1/2" BSPT	Z CKS 38 R 1 1/2	404,10	Z STA CKS 38 R 1 1/2	357,01

*Hasta fin de existencias / Until end of stock / Jusqu'à la fin du stock / Fino ad esaurimento

Racor en codo orientable BSP

90° Adjustable male stud elbow BSP

Coude orientable mâle BSP

Raccordo a 90° orientabile maschio BSP



TUBO PIPE	SERIE SERIES	ROSCA THREAD	Referencia Part n°	€	Referencia STA Part N° STA	€
6	L	1/8" BSP	Z WEE 6L R 1/8	22,63	Z STA WEE 6L R 1/8	21,00
8	L	1/4" BSP	Z WEE 8L R 1/4	32,78	Z STA WEE 8L R 1/4	30,90
10	L	1/4" BSP	Z WEE 10L R 1/4	36,48	Z STA WEE 10L R 1/4	33,27
12	L	3/8" BSP	Z WEE 12L R 3/8	47,78	Z STA WEE 12L R 3/8	45,00
15	L	1/2" BSP	Z WEE 15L R 1/2	88,93	Z STA WEE 15L R 1/2	87,40
18	L	1/2" BSP	Z WEE 18L R 1/2	90,72	Z STA WEE 18L R 1/2	90,58
22	L	3/4" BSP	Z WEE 22L R 3/4	119,39	Z STA WEE 22L R 3/4	106,12
16	S	1/2" BSP	Z WEE 16S R 1/2	84,82	Z STA WEE 16S R 1/2	78,88
20	S	3/4" BSP	Z WEE 20S R 3/4	128,06	Z STA WEE 20S R 3/4	120,38
25	S	1" BSP	Z WEE 25S R 1	198,50	Z STA WEE 25S R 1	182,73

Racor en codo rosca cónica NPT

Male stud elbow NPT

Raccord union coude mâle NPT

Raccordo di estremità a 90° NPT



TUBO PIPE	SERIE SERIES	ROSCA THREAD	Referencia Part n°	€	Referencia STA Part N° STA	€
6	L	1/8" NPT	Z CKL 6 1/8 NPT	21,43	Z STA CKL 6 1/8 NPT	17,09
6	L	1/4" NPT	Z CKL 6 1/4 NPT	21,95	Z STA CKL 6 1/4 NPT	17,61
8	L	1/4" NPT	Z CKL 8 1/4 NPT	22,36	Z STA CKL 8 1/4 NPT	18,16
10	L	1/4" NPT	Z CKL 10 1/4 NPT	25,09	Z STA CKL 10 1/4 NPT	19,20
12	L	1/4" NPT	Z CKL 12 1/4 NPT	32,39	Z STA CKL 12 1/4 NPT	25,78
12	L	3/8" NPT	Z CKL 12 3/8 NPT	32,75	Z STA CKL 12 3/8 NPT	26,14
12	L	1/2" NPT	Z CKL 12 1/2 NPT	34,98	Z STA CKL 12 1/2 NPT	28,36
15	L	1/2" NPT	Z CKL 15 1/2 NPT	40,94	Z STA CKL 15 1/2 NPT	32,41
18	L	1/2" NPT	Z CKL 18 1/2 NPT	82,73	Z STA CKL 18 1/2 NPT	71,00
22	L	3/4" NPT	Z CKL 22 3/4 NPT	88,06	Z STA CKL 22 3/4 NPT	72,74
28	L	1" NPT	Z CKL 28 1 NPT	125,45	Z STA CKL 28 1 NPT	96,61
35	L	1 1/4" NPT	Z CKL 35 1 1/4 NPT	270,41	Z STA CKL 35 1 1/4 NPT	223,26
42	L	1 1/2" NPT	Z CKL 42 1 1/2 NPT	335,31	Z STA CKL 42 1 1/2 NPT	277,32
6	S	1/4" NPT	Z CKS 6 1/4 NPT	25,50	Z STA CKS 6 1/4 NPT	20,43
8	S	1/4" NPT	Z CKS 8 1/4 NPT	32,17	Z STA CKS 8 1/4 NPT	26,67
10	S	3/8" NPT	Z CKS 10 3/8 NPT	39,27	Z STA CKS 10 3/8 NPT	32,37
12	S	3/8" NPT	Z CKS 12 3/8 NPT	37,48	Z STA CKS 12 3/8 NPT	30,03
12	S	1/2" NPT	Z CKS 12 1/2 NPT	36,30	Z STA CKS 12 1/2 NPT	29,38
14	S	1/2" NPT	Z CKS 14 1/2 NPT	66,18	Z STA CKS 14 1/2 NPT	55,19
16	S	1/2" NPT	Z CKS 16 1/2 NPT	64,83	Z STA CKS 16 1/2 NPT	52,73
20	S	3/4" NPT	Z CKS 20 3/4 NPT	87,80	Z STA CKS 20 3/4 NPT	70,77
25	S	1" NPT	Z CKS 25 1 NPT	174,51	Z STA CKS 25 1 NPT	138,38
30	S	1 1/4" NPT	Z CKS 30 1 1/4 NPT	337,70	Z STA CKS 30 1 1/4 NPT	289,84
38	S	1 1/2" NPT	Z CKS 38 1 1/2 NPT	337,03	Z STA CKS 38 1 1/2 NPT	268,84

Racor en codo rosca cónica Métrica

Male stud elbow metrical conical

Raccord équerre mâle métrique

Raccordo di estremità a 90° Metrico conico



TUBO PIPE	SERIE SERIES	ROSCA THREAD	Referencia Part n°	€
6	L	M10X1	Z CKL 6 M 10X1	26,35
8	L	M12X1,5	Z CKL 8 M 12X1,5	33,95
10	L	M14X1,5	Z CKL 10 M 14X1,5	36,58
12	L	M16X1,5	Z CKL 12 M 16X1,5	42,47
15	L	M18X1,5	Z CKL 15 M 18X1,5	59,28
18	L	M22X1,5	Z CKL 18 M 22X1,5	68,21
6	S	M12X1,5	Z CKS 6 M 12X1,5	27,43
8	S	M14X1,5	Z CKS 8 M 14X1,5	49,23
10	S	M16X1,5	Z CKS 10 M 16X1,5	50,91
12	S	M18X1,5	Z CKS 12 M 18X1,5	52,10
14	S	M20X1,5	Z CKS 14 M 20X1,5	53,35
16	S	M22X1,5	Z CKS 16 M 22X1,5	100,84

RACORES DIN 2353

DIN 2353 Pipe fittings
Raccords à bague DIN 2353
Raccordi DIN 2353

Racor en L rosca cónica BSPT

Male stud barrel TEE BSPT

Raccord TÉ mâle gaz conique latéral

Raccordo di estremità a L BSP conico



Racor en L rosca cónica Métrica

Male stud barrel TEE Metric

Raccord TÉ mâle Métrique latéral

Raccordo di estremità a L Metrico conico



TUBO PIPE	SERIE SERIES	ROSCA THREAD	Referencia Part n°	€
6	L	1/8" BSPT	Z LKL 6 R 1/8	47,28
8	L	1/4" BSPT	Z LKL 8 R 1/4	49,97
10	L	1/4" BSPT	Z LKL 10 R 1/4	53,62
12	L	3/8" BSPT	Z LKL 12 R 3/8	56,75
15	L	1/2" BSPT	Z LKL 15 R 1/2	79,69
18	L	1/2" BSPT	Z LKL 18 R 1/2	131,29
6	S	1/4" BSPT	Z LKS 6 R 1/4	51,43
8	S	1/4" BSPT	Z LKS 8 R 1/4	56,91
10	S	3/8" BSPT	Z LKS 10 R 3/8	67,00
12	S	3/8" BSPT	Z LKS 12 R 3/8	71,43
14	S	1/2" BSPT	Z LKS 14 R 1/2	87,80
16	S	1/2" BSPT	Z LKS 16 R 1/2	110,76

TUBO PIPE	SERIE SERIES	ROSCA THREAD	Referencia Part n°	€
6	L	M10X1	Z LKL 6 M 10X1	*
8	L	M12X1.5	Z LKL 8 M 12X1.5	*
10	L	M14X1.5	Z LKL 10 M 14X1.5	*
12	L	M16X1.5	Z LKL 12 M 16X1.5	*
15	L	M18X1.5	Z LKL 15 M 18X1.5	*
18	L	M22X1.5	Z LKL 18 M 22X1.5	*
6	S	M12X1.5	Z LKS 6 M 12X1.5	*
8	S	M14X1.5	Z LKS 8 M 14X1.5	*
10	S	M16X1.5	Z LKS 10 M 16X1.5	*
12	S	M18X1.5	Z LKS 12 M 18X1.5	*
14	S	M20X1.5	Z LKS 14 M 20X1.5	*
16	S	M22X1.5	Z LKS 16 M 22X1.5	*

FLUIDAL

RACORES DIN 2353

DIN 2353 Pipe fittings
Raccords à bague DIN 2353
Raccordi DIN 2353

Racor en T rosca cónica BSPT

Male stud branch TEE BSPT

Raccord TÉ mâle gaz conique au centre

Raccordo di estremità a T BSP conico



TUBO PIPE	SERIE SERIES	ROSCA THREAD	Referencia Part n°	€
6	L	1/8" BSPT	Z FKL 6 R 1/8	41,12
8	L	1/4" BSPT	Z FKL 8 R 1/4	37,59
10	L	1/4" BSPT	Z FKL 10 R 1/4	48,14
12	L	3/8" BSPT	Z FKL 12 R 3/8	54,31
15	L	1/2" BSPT	Z FKL 15 R 1/2	81,09
18	L	3/2" BSPT	Z FKL 18 R 1/2	102,66
6	S	1/4" BSPT	Z FKS 6 R 1/4	48,22
8	S	1/4" BSPT	Z FKS 8 R 1/4	59,44
10	S	3/8" BSPT	Z FKS 10 R 3/8	60,79
12	S	3/8" BSPT	Z FKS 12 R 3/8	71,58
14	S	1/2" BSPT	Z FKS 14 R 1/2	94,56
16	S	1/2" BSPT	Z FKS 16 1/2	110,76

Racor en T rosca cónica Métrica

Male stud branch TEE Metric

Raccord TÉ mâle Métrique au centre

Raccordo di estremità a T Metrico conico



TUBO PIPE	SERIE SERIES	ROSCA THREAD	Referencia Part n°	€
6	L	M10X1	Z FKL 6 M 10X1	*
8	L	M12X1.5	Z FKL 8 M 12X1.5	*
10	L	M14X1.5	Z FKL 10 M 14X1.5	*
12	L	M16X1.5	Z FKL 12 M 16X1.5	*
15	L	M18X1.5	Z FKL 15 M 18X1.5	*
6	S	M12X1.5	Z FKS 6 M 12X1.5	*
8	S	M14X1.5	Z FKS 8 M 14X1.5	*
10	S	M16X1.5	Z FKS 10 M 16X1.5	*
12	S	M18X1.5	Z FKS 12 M 18X1.5	*
14	S	M20X1.5	Z FKS 14 M 20X1.5	*
16	S	M22X1.5	Z FKS 16 M 22X1.5	*

Racor en T rosca cónica NPT

Male stud branch TEE NPT

Raccord TÉ mâle NPT au centre

Raccordo di estremità a T NPT



TUBO PIPE	SERIE SERIES	ROSCA THREAD	Referencia Part n°	€
6	L	1/8" NPT	Z FKL 6 R 1/8 NPT	47,28
8	L	1/4" NPT	Z FKL 8 R 1/4 NPT	43,54
10	L	1/4" NPT	Z FKL 10 R 1/4 NPT	58,93
12	L	3/8" NPT	Z FKL 12 R 3/8 NPT	66,18
18	L	1/2" NPT	Z FKL 18 R 1/2 NPT	129,68
22	L	3/4" NPT	Z FKL 22 R 3/4 NPT	164,79
28	L	1" NPT	Z FKL 28 R 1 NPT	200,43
35	L	1" 1/4 NPT	Z FKL 35 R 1 1/4 NPT	383,54
42	L	1" 1/2 NPT	Z FKL 42 R 1 1/2 NPT	395,92
6	S	1/4" NPT	Z FKS 6 R 1/4 NPT	52,01
10	S	3/8" NPT	Z FKS 10 R 3/8 NPT	56,91
12	S	3/8" NPT	Z FKS 12 R 3/8 NPT	74,29
14	S	1/2" NPT	Z FKS 14 R 1/2 NPT	74,63
16	S	1/2" NPT	Z FKS 16 R 1/2 NPT	126,97
20	S	3/4" NPT	Z FKS 20 R 3/4 NPT	148,47
25	S	1" NPT	Z FKS 25 R 1 NPT	215,28
30	S	1" 1/4 NPT	Z FKS 30 R 1 1/4 NPT	346,42
38	S	1" 1/2 NPT	Z FKS 38 R 1 1/2 NPT	532,01

RACORES DIN 2353

DIN 2353 Pipe fittings
Raccords à bague DIN 2353
Raccordi DIN 2353

Racor de reducci3n con TL Métrica (serie ligera)

Standpipe reducer swivel female (light series)

Raccord union simple femelle tournante Métrique (série légère)

Raccordo di riduzione con cono 24° (serie leggera)



TUBO PIPE	PIPE	SERIE SERIES	Referencia Part n°	€	Referencia Part n°	€
8	6	L	Z KORL 8-6 TLM	28,46	Z STA KORL 8-6 TLM	24,12
10	6	L	Z KORL 10-6 TLM	26,39	Z STA KORL 10-6 TLM	22,05
12	6	L	Z KORL 12-6 TLM	36,52	Z STA KORL 12-6 TLM	32,18
12	8	L	Z KORL 12-8 TLM	27,42	Z STA KORL 12-8 TLM	22,53
12	10	L	Z KORL 12-10 TLM	28,46	Z STA KORL 12-10 TLM	22,56
15	6	L	Z KORL 15-6 TLM	41,49	Z STA KORL 15-6 TLM	37,15
15	8	L	Z KORL 15-8 TLM	34,15	Z STA KORL 15-8 TLM	29,24
15	10	L	Z KORL 15-10 TLM	42,54	Z STA KORL 15-10 TLM	36,64
15	12	L	Z KORL 15-12 TLM	28,47	Z STA KORL 15-12 TLM	22,87
18	8	L	Z KORL 18-8 TLM	47,13	Z STA KORL 18-8 TLM	42,23
18	10	L	Z KORL 18-10 TLM	40,98	Z STA KORL 18-10 TLM	36,75
18	12	L	Z KORL 18-12 TLM	36,07	Z STA KORL 18-12 TLM	30,85
18	15	L	Z KORL 18-15 TLM	40,36	Z STA KORL 18-15 TLM	39,95
22	10	L	Z KORL 22-10 TLM	41,29	Z STA KORL 22-10 TLM	35,39
22	12	L	Z KORL 22-12 TLM	40,89	Z STA KORL 22-12 TLM	34,30
22	15	L	Z KORL 22-15 TLM	47,60	Z STA KORL 22-15 TLM	39,23
22	18	L	Z KORL 22-18 TLM	49,13	Z STA KORL 22-18 TLM	48,11
28	10	L	Z KORL 28-10 TLM	73,29	Z STA KORL 28-10 TLM	67,39
28	12	L	Z KORL 28-12 TLM	57,27	Z STA KORL 28-12 TLM	50,66
28	15	L	Z KORL 28-15 TLM	83,62	Z STA KORL 28-15 TLM	75,09
28	18	L	Z KORL 28-18 TLM	59,91	Z STA KORL 28-18 TLM	48,18
28	22	L	Z KORL 28-22 TLM	61,10	Z STA KORL 28-22 TLM	58,44
35	12	L	Z KORL 35-12 TLM	107,92	Z STA KORL 35-12 TLM	101,31
35	22	L	Z KORL 35-22 TLM	119,67	Z STA KORL 35-22 TLM	104,36
35	28	L	Z KORL 35-28 TLM	108,29	Z STA KORL 35-28 TLM	79,45
42	22	L	Z KORL 42-22 TLM	148,46	Z STA KORL 42-22 TLM	133,14
42	28	L	Z KORL 42-28 TLM	149,09	Z STA KORL 42-28 TLM	120,25
42	35	L	Z KORL 42-35 TLM	160,61	Z STA KORL 42-35 TLM	113,46

Racor de reducci3n con TL Métrica (serie pesada)

Standpipe reducer swivel female (heavy series)

Raccord union simple femelle tournante Métrique (série lourde)

Raccordo di riduzione con cono 24° (serie pesante)



TUBO PIPE	PIPE	SERIE SERIES	Referencia Part n°	€	Referencia Part n°	€
8	6	S	Z KORS 8-6 TLM	35,66	Z STA KORS 8-6 TLM	30,59
10	6	S	Z KORS 10-6 TLM	38,48	Z STA KORS 10-6 TLM	33,41
10	8	S	Z KORS 10-8 TLM	39,85	Z STA KORS 10-8 TLM	34,35
12	6	S	Z KORS 12-6 TLM	40,39	Z STA KORS 12-6 TLM	35,32
12	8	S	Z KORS 12-8 TLM	40,39	Z STA KORS 12-8 TLM	34,89
12	10	S	Z KORS 12-10 TLM	44,58	Z STA KORS 12-10 TLM	37,67
14	10	S	Z KORS 14-10 TLM	45,76	Z STA KORS 14-10 TLM	38,85
14	12	S	Z KORS 14-12 TLM	46,75	Z STA KORS 14-12 TLM	39,29
16	6	S	Z KORS 16-6 TLM	51,50	Z STA KORS 16-6 TLM	46,43
16	8	S	Z KORS 16-8 TLM	48,50	Z STA KORS 16-8 TLM	43,00
16	10	S	Z KORS 16-10 TLM	47,39	Z STA KORS 16-10 TLM	40,48
16	12	S	Z KORS 16-12 TLM	38,68	Z STA KORS 16-12 TLM	35,95
20	8	S	Z KORS 20-8 TLM	63,36	Z STA KORS 20-8 TLM	57,86
20	10	S	Z KORS 20-10 TLM	61,27	Z STA KORS 20-10 TLM	54,36
20	12	S	Z KORS 20-12 TLM	58,23	Z STA KORS 20-12 TLM	55,73
20	14	S	Z KORS 20-14 TLM	65,09	Z STA KORS 20-14 TLM	54,09
20	16	S	Z KORS 20-16 TLM	53,71	Z STA KORS 20-16 TLM	52,59
25	12	S	Z KORS 25-12 TLM	81,44	Z STA KORS 25-12 TLM	73,99
25	16	S	Z KORS 25-16 TLM	88,48	Z STA KORS 25-16 TLM	76,37
25	20	S	Z KORS 25-20 TLM	95,43	Z STA KORS 25-20 TLM	77,21
30	16	S	Z KORS 30-16 TLM	140,34	Z STA KORS 30-16 TLM	128,23
30	20	S	Z KORS 30-20 TLM	141,70	Z STA KORS 30-20 TLM	119,59
30	25	S	Z KORS 30-25 TLM	149,81	Z STA KORS 30-25 TLM	113,68
38	20	S	Z KORS 38-20 TLM	173,96	Z STA KORS 38-20 TLM	156,93
38	25	S	Z KORS 38-25 TLM	195,19	Z STA KORS 38-25 TLM	159,06
38	30	S	Z KORS 38-30 TLM	205,18	Z STA KORS 38-30 TLM	154,68

RACORES DIN 2353

DIN 2353 Pipe fittings
Raccords à bague DIN 2353
Raccordi DIN 2353

Reducción con rosca M-HF BSP con junta plana

Male-female reducing adaptor BSP cylindrical with flat seal

Raccord réduction mâle gaz-fem gaz avec joint plat

Adattatore di riduzione filettato maschio - femmina BSP con guarnizione piatta



ROSCA (H) THREAD (F)	ROSCA (M) THREAD (M)	Referencia Part n°	€
1/4" BSP	1/8" BSP	Z RI-R 1/8 R 1/4WD	14,75
1/8" BSP	1/4" BSP	Z RI-R 1/4 R 1/8WD	14,96
3/8" BSP	1/4" BSP	Z RI-R 1/4 R 3/8WD	18,90
1/2" BSP	1/4" BSP	Z RI-R 1/4 R 1/2WD	21,74
1/8" BSP	3/8" BSP	Z RI-R 3/8 R 1/8WD	19,99
1/4" BSP	3/8" BSP	Z RI-R 3/8 R 1/4WD	17,42
1/2" BSP	3/8" BSP	Z RI-R 3/8 R 1/2WD	21,96
3/4" BSP	3/8" BSP	Z RI-R 3/8 R 3/4WD	30,91
1/8" BSP	1/2" BSP	Z RI-R 1/2 R 1/8WD	25,79
1/4" BSP	1/2" BSP	Z RI-R 1/2 R 1/4WD	18,90
3/8" BSP	1/2" BSP	Z RI-R 1/2 R 3/8WD	21,62
3/4" BSP	1/2" BSP	Z RI-R 1/2 R 3/4WD	31,21
3/8" BSP	3/4" BSP	Z RI-R 3/4 R 3/8WD	30,46
1/2" BSP	3/4" BSP	Z RI-R 3/4 R 1/2WD	32,33
1" BSP	3/4" BSP	Z RI-R 3/4 R 1WD	54,58
1/4" BSP	1" BSP	Z RI-R 1 R 1/4WD	39,30
3/8" BSP	1" BSP	Z RI-R 1 R 3/8WD	39,45
1/2" BSP	1" BSP	Z RI-R 1 R 1/2WD	37,23
3/4" BSP	1" BSP	Z RI-R 1 R 3/4WD	52,37
1"1/4 BSP	1" BSP	Z RI-R 1 R 1 1/4WD	125,47
1/2" BSP	1"1/4 BSP	Z RI-R 1 1/4 R 1/2WD	67,00
3/4" BSP	1"1/4 BSP	Z RI-R 1 1/4 R 3/4WD	71,66
1" BSP	1"1/4 BSP	Z RI-R 1 1/4 R 1WD	96,17
1"1/2 BSP	1"1/4 BSP	Z RI-R 1 1/4 R 1 1/2WD	125,25
1/2" BSP	1"1/2 BSP	Z RI-R 1 1/2 R 1/2WD	93,21
3/4" BSP	1"1/2 BSP	Z RI-R 1 1/2 R 3/4WD	89,15
1" BSP	1"1/2 BSP	Z RI-R 1 1/2 R 1WD	85,11
1"1/4 BSP	1"1/2 BSP	Z RI-R 1 1/2 R 1 1/4WD	130,89
2" BSP	1"1/2 BSP	Z RI-R 1 1/2 R 2WD	144,47
1"1/2 BSP	2" BSP	Z RI-R 2 R 1 1/2WD	176,18

RACORES DIN 2353

DIN 2353 Pipe fittings
Raccords à bague DIN 2353
Raccordi DIN 2353

Racor en codo regulable con tuerca y anillo

Adjustable stud elbow with nut and ring

Raccord coude orientable tube lisse équipé

Raccordo orientabile a 90° con dado e anello



TUBO PIPE	SERIE SERIES	Referencia Part n°	€	Referencia STA Part N° STA	€
6	L	Z EEL 6 CTA	26,95	Z STA EEL 6 CTA	24,75
8	L	Z EEL 8 CTA	27,41	Z STA EEL 8 CTA	23,10
12	L	Z EEL 12 CTA	33,61	Z STA EEL 12 CTA	29,69
15	L	Z EEL 15 CTA	49,49	Z STA EEL 15 CTA	43,64
22	L	Z EEL 22 CTA	92,03	Z STA EEL 22 CTA	84,46
28	L	Z EEL 28 CTA	139,36	Z STA EEL 28 CTA	155,34
35	L	Z EEL 35 CTA	179,35	Z STA EEL 35 CTA	160,43
6	S	Z EES 6 CTA	25,47	Z STA EES 6 CTA	21,20
16	S	Z EES 16 CTA	58,57	Z STA EES 16 CTA	53,57

Hasta fin de existencias / Until end of stock / Jusqu'à la fin du stock / Fino ad esaurimento

Racor en codo regulable TL Métrica

Adjustable stud elbow with o'ring

Raccord coude orientable Métrique avec o'ring

Raccordo orientabile a 90° con o'ring



TUBO PIPE	SERIE SERIES	Referencia Part n°	€	Referencia STA Part N° STA	€
6	L	Z EEL 6 TLM	26,41	Z STA EEL 6 TLM	24,62
8	L	Z EEL 8 TLM	26,87	Z STA EEL 8 TLM	26,61
10	L	Z EEL 10 TLM	33,16	Z STA EEL 10 TLM	27,27
12	L	Z EEL 12 TLM	38,05	Z STA EEL 12 TLM	34,85
15	L	Z EEL 15 TLM	49,05	Z STA EEL 15 TLM	46,61
18	L	Z EEL 18 TLM	68,79	Z STA EEL 18 TLM	65,74
22	L	Z EEL 22 TLM	93,80	Z STA EEL 22 TLM	84,25
28	L	Z EEL 28 TLM	136,57	Z STA EEL 28 TLM	128,39
35	L	Z EEL 35 TLM	192,78	Z STA EEL 35 TLM	171,03
42	L	Z EEL 42 TLM	330,84	Z STA EEL 42 TLM	296,53
6	S	Z EES 6 TLM	36,60	Z STA EES 6 TLM	34,17
8	S	Z EES 8 TLM	39,14	Z STA EES 8 TLM	33,70
10	S	Z EES 10 TLM	40,62	Z STA EES 10 TLM	39,05
12	S	Z EES 12 TLM	45,51	Z STA EES 12 TLM	43,68
14	S	Z EES 14 TLM	55,01	Z STA EES 14 TLM	50,56
16	S	Z EES 16 TLM	64,97	Z STA EES 16 TLM	63,58
20	S	Z EES 20 TLM	100,61	Z STA EES 20 TLM	93,11
25	S	Z EES 25 TLM	165,41	Z STA EES 25 TLM	145,45
30	S	Z EES 30 TLM	206,01	Z STA EES 30 TLM	197,09
38	S	Z EES 38 TLM	308,52	Z STA EES 38 TLM	287,08

Racor en T regulable TL Métrica

Adjustable stud branch TEE with o'ring

Raccord TÉ orientable Métrique avec o'ring

Raccordo orientabile a T con o'ring



TUBO PIPE	SERIE SERIES	Referencia Part n°	€	Referencia STA Part N° STA	€
6	L	Z TEL 6 TLM	33,65	Z STA TEL 6 TLM	28,85
8	L	Z TEL 8 TLM	37,38	Z STA TEL 8 TLM	31,76
10	L	Z TEL 10 TLM	41,25	Z STA TEL 10 TLM	34,64
12	L	Z TEL 12 TLM	46,60	Z STA TEL 12 TLM	40,50
15	L	Z TEL 15 TLM	80,03	Z STA TEL 15 TLM	63,06
18	L	Z TEL 18 TLM	122,12	Z STA TEL 18 TLM	98,74
22	L	Z TEL 22 TLM	142,18	Z STA TEL 22 TLM	127,77
28	L	Z TEL 28 TLM	214,60	Z STA TEL 28 TLM	183,56
35	L	Z TEL 35 TLM	386,51	Z STA TEL 35 TLM	323,56
42	L	Z TEL 42 TLM	517,22	Z STA TEL 42 TLM	401,33
6	S	Z TES 6 TLM	41,26	Z STA TES 6 TLM	32,93
8	S	Z TES 8 TLM	45,74	Z STA TES 8 TLM	38,07
10	S	Z TES 10 TLM	52,45	Z STA TES 10 TLM	44,13
12	S	Z TES 12 TLM	61,96	Z STA TES 12 TLM	53,90
14	S	Z TES 14 TLM	100,51	Z STA TES 14 TLM	90,12
16	S	Z TES 16 TLM	106,81	Z STA TES 16 TLM	101,11
20	S	Z TES 20 TLM	139,87	Z STA TES 20 TLM	127,91
25	S	Z TES 25 TLM	215,69	Z STA TES 25 TLM	180,14
30	S	Z TES 30 TLM	309,62	Z STA TES 30 TLM	262,87
38	S	Z TES 38 TLM	529,51	Z STA TES 38 TLM	393,20

Racor en L regulable TL Métrica

Adjustable stud barrel TEE with o'ring

Raccord L orientable renversé Métrique avec o'ring

Raccordo orientabile a L con o'ring



TUBO PIPE	SERIE SERIES	ROSCA THREAD	Referencia Part n°	€	Referencia STA Part N° STA	€
6	L	M12X1.5	Z LEL 6 TLM	33,10	Z STA LEL 6 TLM	27,52
8	L	M14X1.5	Z LEL 8 TLM	44,00	Z STA LEL 8 TLM	35,62
10	L	M16X1.5	Z LEL 10 TLM	47,77	Z STA LEL 10 TLM	40,57
12	L	M18X1.5	Z LEL 12 TLM	57,04	Z STA LEL 12 TLM	50,78
15	L	M22X1.5	Z LEL 15 TLM	82,63	Z STA LEL 15 TLM	70,91
18	L	M26X1.5	Z LEL 18 TLM	109,37	Z STA LEL 18 TLM	91,76
22	L	M30X2	Z LEL 22 TLM	150,04	Z STA LEL 22 TLM	135,20
28	L	M36X2	Z LEL 28 TLM	216,96	Z STA LEL 28 TLM	185,07
35	L	M45X2	Z LEL 35 TLM	395,65	Z STA LEL 35 TLM	303,14
42	L	M52X2	Z LEL 42 TLM	506,03	Z STA LEL 42 TLM	432,81
6	S	M14X1.5	Z LES 6 TLM	33,92	Z STA LES 6 TLM	26,08
8	S	M16X1.5	Z LES 8 TLM	44,20	Z STA LES 8 TLM	35,26
10	S	M18X1.5	Z LES 10 TLM	58,64	Z STA LES 10 TLM	50,13
12	S	M20X1.5	Z LES 12 TLM	58,45	Z STA LES 12 TLM	57,48
14	S	M22X1.5	Z LES 14 TLM	89,13	Z STA LES 14 TLM	74,21
16	S	M24X1.5	Z LES 16 TLM	101,45	Z STA LES 16 TLM	90,01
20	S	M30X2	Z LES 20 TLM	147,27	Z STA LES 20 TLM	122,49
25	S	M36X2	Z LES 25 TLM	228,22	Z STA LES 25 TLM	198,13
30	S	M42X2	Z LES 30 TLM	340,69	Z STA LES 30 TLM	288,11
38	S	M52X2	Z LES 38 TLM	564,50	Z STA LES 38 TLM	428,19

RACORES DIN 2353

DIN 2353 Pipe fittings
Raccords à bague DIN 2353
Raccordi DIN 2353

Racor unión TL Métrica

Straight connection with o'ring

Raccord union tournante Métrique égale

Raccordo di estremitá diritto Metrico con o'ring



TUBO PIPE	SERIE SERIES	Referencia Part n°	€
6	L	Z ATL 6	28,28
8	L	Z ATL 8	29,65
10	L	Z ATL 10	28,29
12	L	Z ATL 12	34,41
15	L	Z ATL 15	47,78
18	L	Z ATL 18	62,19
22	L	Z ATL 22	66,56
28	L	Z ATL 28	102,30
35	L	Z ATL 35	159,94
42	L	Z ATL 42	213,70
6	S	Z ATS 6	39,24
8	S	Z ATS 8	34,26
10	S	Z ATS 10	33,57
12	S	Z ATS 12	43,87
14	S	Z ATS 14	54,55
16	S	Z ATS 16	55,85
20	S	Z ATS 20	73,08
25	S	Z ATS 25	101,24
30	S	Z ATS 30	168,72
38	S	Z ATS 38	226,80

Racor recto macho NPT - TL Metrica

Straight stud standpipe adaptor NPT- metric swivel fem.

Raccord adapteur tube lisse - mâle NPT- fem. tourn. métrique

Adattatore diritto NPT - tubo TLM



TUBO PIPE	SERIE SERIES	ROSCA THREAD	Referencia Part n°	€
6	L	1/8"NPT	Z RAL 6 R 1/8 NPTTLM	29,00
8	L	1/4"NPT	Z RAL 8 R 1/4 NPTTLM	29,89
10	L	1/4"NPT	Z RAL 10 R 1/4 NPTTLM	30,80
12	L	3/8" NPT	Z RAL 12 R 3/8 NPTTLM	41,05
15	L	1/2" NPT	Z RAL 15 R 1/2 NPTTLM	31,28
18	L	1/2"NPT	Z RAL 18 R 1/2 NPTTLM	64,98
22	L	3/4"NPT	Z RAL 22 R 3/4 NPTTLM	69,76
28	L	1"NPT	Z RAL 28 R 1 NPTTLM	104,36
35	L	1"1/4 NPT	Z RAL 35 R 1 1/4 NPTTLM	136,32
42	L	1"1/2 NPT	Z RAL 42 R 1 1/2 NPTTLM	186,84
6	S	1/4"NPT	Z RAS 6 R 1/4 NPTTLM	27,43
8	S	1/4"NPT	Z RAS 8 R 1/4 NPTTLM	28,81
10	S	3/8"NPT	Z RAS 10 R 3/8 NPTTLM	33,09
12	S	1/4" NPT	Z RAS 12 R 1/4 NPTTLM	25,71
14	S	1/2"NPT	Z RAS 14 R 1/2 NPTTLM	43,37
16	S	1/2"NPT	Z RAS 16 R 1/2 NPTTLM	65,10
20	S	3/4"NPT	Z RAS 20 R 3/4 NPTTLM	91,99
25	S	3/4"NPT	Z RAS 25 R 3/4 NPTTLM	110,83
25	S	1"NPT	Z RAS 25 R 1 NPTTLM	97,34
30	S	1"NPT	Z RAS 30 R 1 NPTTLM	120,96
30	S	1"1/4 NPT	Z RAS 30 R 1 1/4 NPTTLM	152,01
38	S	1"1/2 NPT	Z RAS 38 R 1 1/2 NPTTLM	236,79

Racor recto macho BSP con junta plana - TLM

Straight stud standpipe adaptor with captive seal BSP cylindrical-metric swivel fem.

Raccord adapt.tube lisse-mâle gaz BSP avec joint plat-fem.tourn.métrique

Adattatore diritto BSP cilindrico con guarnizione ed o'ring



TUBO PIPE	SERIE SERIES	ROSCA THREAD	Referencia Part n°	€
6	L	1/8"BSP	Z RAL 6 R 1/8TLMWD	30,39
8	L	1/4"BSP	Z RAL 8 R 1/4TLMWD	29,79
10	L	1/4"BSP	Z RAL 10 R 1/4TLMWD	27,36
12	L	1/4"BSP	Z RAL 12 R 1/4TLMWD	28,06
12	L	3/8"BSP	Z RAL 12 R 3/8TLMWD	29,07
12	L	1/2"BSP	Z RAL 12 R 1/2TLMWD	31,35
15	L	1/2"BSP	Z RAL 15 R 1/2TLMWD	38,05
18	L	1/2"BSP	Z RAL 18 R 1/2TLMWD	50,95
22	L	3/4"BSP	Z RAL 22 R 3/4TLMWD	54,85
28	L	1"BSP	Z RAL 28 R 1TLMWD	94,35
35	L	1"1/4 BSP	Z RAL 35 R 1 1/4TLMWD	131,30
42	L	1"1/2 BSP	Z RAL 42 R 1 1/2TLMWD	179,57
6	S	1/4"BSP	Z RAS 6 R 1/4TLMWD	33,09
8	S	1/4"BSP	Z RAS 8 R 1/4TLMWD	27,36
10	S	3/8"BSP	Z RAS 10 R 3/8TLMWD	30,56
12	S	3/8"BSP	Z RAS 12 R 3/8TLMWD	30,64
12	S	1/2"BSP	Z RAS 12 R 1/2TLMWD	35,24
14	S	1/2"BSP	Z RAS 14 R 1/2TLMWD	40,48
16	S	1/2"BSP	Z RAS 16 R 1/2TLMWD	53,64
20	S	3/4"BSP	Z RAS 20 R 3/4TLMWD	56,91
25	S	1"BSP	Z RAS 25 R 1TLMWD	100,14
30	S	1"1/4 BSP	Z RAS 30 R 1 1/4TLMWD	129,70
38	S	1"1/2 BSP	Z RAS 38 R 1 1/2TLMWD	174,18

Racor recto macho Métrico con junta plana - tubo TLM

Straight stud standpipe adaptor Metric with captive seal-metric swivel fem.

Raccord adapt.tube lisse-mâle Métrique avec joint plat-fem.tourn.métrique

Adattatore diritto Metrico cilindrico con guarnizione - tubo TLM



TUBO PIPE	SERIE SERIES	ROSCA THREAD	Referencia Part n°	€
6	L	M10X1	Z RAL 6M10X1TLMWD	32,85
8	L	M12X1.5	Z RAL 8M12X1.5TLMWD	29,05
10	L	M14X1.5	Z RAL 10M14X1.5TLMWD	36,88
12	L	M16X1.5	Z RAL 12M16X1.5TLMWD	35,55
15	L	M18X1.5	Z RAL 15M18X1.5TLMWD	44,58
18	L	M22X1.5	Z RAL 18M22X1.5TLMWD	57,27
22	L	M26X1.5	Z RAL 22M26X1.5TLMWD	66,06
28	L	M33X2	Z RAL 28M33X2TLMWD	105,23
35	L	M42X2	Z RAL 35M42X2TLMWD	162,28
42	L	M48X2	Z RAL 42M48X2TLMWD	183,71
6	S	M12X1.5	Z RAS 6M12X1.5TLMWD	33,09
8	S	M14X1.5	Z RAS 8M14X1.5TLMWD	32,69
10	S	M16X1.5	Z RAS 10M16X1.5TLMWD	34,44
12	S	M18X1.5	Z RAS 12M18X1.5TLMWD	37,75
14	S	M20X1.5	Z RAS 14M20X1.5TLMWD	51,67
16	S	M22X1.5	Z RAS 16M22X1.5TLMWD	56,59
20	S	M27X2	Z RAS 20M27X2TLMWD	76,85
25	S	M33X2	Z RAS 25M33X2TLMWD	113,64
30	S	M42X2	Z RAS 30M42X2TLMWD	156,57
38	S	M48X2	Z RAS 38M48X2TLMWD	202,78

RACORES DIN 2353

DIN 2353 Pipe fittings
Raccords à bague DIN 2353
Raccordi DIN 2353

Racor recto para soldar

Weldable straight coupling

Raccord mamelon hexagonal Métrique à souder

Raccordo diritto a saldare



TUBO PIPE	SERIE SERIES	Referencia Part n°	€	Referencia STA Part N° STA	€
6	L	Z ASL 6	11,45	Z STA ASL 6	7,56
8	L	Z ASL 8	13,12	Z STA ASL 8	9,02
10	L	Z ASL 10	16,57	Z STA ASL 10	10,67
12	L	Z ASL 12	15,32	Z STA ASL 12	11,26
15	L	Z ASL 15	25,09	Z STA ASL 15	16,74
18	L	Z ASL 18	28,77	Z STA ASL 18	20,52
22	L	Z ASL 22	40,90	Z STA ASL 22	26,65
28	L	Z ASL 28	61,85	Z STA ASL 28	37,90
35	L	Z ASL 35	100,37	Z STA ASL 35	53,22
42	L	Z ASL 42	131,04	Z STA ASL 42	75,47
6	S	Z ASS 6	27,30	Z STA ASS 6	22,23
8	S	Z ASS 8	31,41	Z STA ASS 8	25,91
10	S	Z ASS 10	37,17	Z STA ASS 10	30,27
12	S	Z ASS 12	29,16	Z STA ASS 12	21,70
14	S	Z ASS 14	57,89	Z STA ASS 14	46,90
16	S	Z ASS 16	29,02	Z STA ASS 16	21,75
20	S	Z ASS 20	47,72	Z STA ASS 20	30,69
25	S	Z ASS 25	69,27	Z STA ASS 25	34,77
30	S	Z ASS 30	91,03	Z STA ASS 30	49,47
38	S	Z ASS 38	166,28	Z STA ASS 38	106,72

Boquilla para soldar

Welding nipple with o-ring

Raccord collet cône métrique à souder

Ogiva a saldare con o-ring



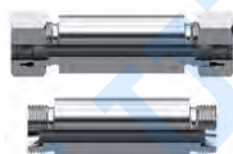
TUBO PIPE	SERIE SERIES	Referencia Part n°	€
15x2.5	L	Z ORIL 15	9,71
18x2.5	L	Z ORIL 18	14,28
22x2.5	L	Z ORIL 22	16,73
28x3	L	Z ORIL 28	23,23
35x4	L	Z ORIL 35	33,50
42x3	L	Z ORIL 42	58,88
6x2	L/S	Z ORIS 6	11,48
8x2	L/S	Z ORIS 8	9,06
10x2	L/S	Z ORIS 10	9,05
12x2	L/S	Z ORIS 12	9,24
14x3	S	Z ORIS 14	17,96
16x3	S	Z ORIS 16	13,20
20x3	S	Z ORIS 20	16,14
25x3.5	S	Z ORIS 25	23,34
30x5	S	Z ORIS 30	29,06
38x5	S	Z ORIS 38	41,49

Racor pasatabique para soldar

Weldable bulkhead coupling

Raccord union double passe cloison
Métrique à souder

Raccordo passaparete a saldare



TUBO PIPE	SERIE SERIES	Referencia Part n°	€	Referencia STA Part N° STA	€
6	L	Z ESVL 6	23,95	Z STA ESVL 6	15,35
8	L	Z ESVL 8	27,49	Z STA ESVL 8	17,76
10	L	Z ESVL 10	30,41	Z STA ESVL 10	18,70
12	L	Z ESVL 12	33,92	Z STA ESVL 12	20,77
15	L	Z ESVL 15	45,62	Z STA ESVL 15	28,65
18	L	Z ESVL 18	65,60	Z STA ESVL 18	42,22
22	L	Z ESVL 22	88,17	Z STA ESVL 22	57,62
28	L	Z ESVL 28	109,96	Z STA ESVL 28	52,36
35	L	Z ESVL 35	162,10	Z STA ESVL 35	67,89
42	L	Z ESVL 42	208,22	Z STA ESVL 42	105,40
6	S	Z ESVS 6	32,56	Z STA ESVS 6	22,49
8	S	Z ESVS 8	36,35	Z STA ESVS 8	25,43
10	S	Z ESVS 10	52,82	Z STA ESVS 10	39,09
12	S	Z ESVS 12	49,97	Z STA ESVS 12	35,14
14	S	Z ESVS 14	64,16	Z STA ESVS 14	42,25
16	S	Z ESVS 16	70,16	Z STA ESVS 16	48,18
20	S	Z ESVS 20	105,28	Z STA ESVS 20	71,30
25	S	Z ESVS 25	135,54	Z STA ESVS 25	63,36
30	S	Z ESVS 30	169,37	Z STA ESVS 30	73,74
38	S	Z ESVS 38	253,94	Z STA ESVS 38	117,63

RACORES DIN 2353

DIN 2353 Pipe fittings
Raccords à bague DIN 2353
Raccordi DIN 2353

Racor recto pasatabique con tuerca

Straight bulkhead coupling

Raccord droit union double passe cloison
avec écrou

Raccordo passaparete



TUBO PIPE	SERIE SERIES	Referencia Part n°	€	Referencia STA Part N° STA	€
6	L	Z SVL 6	20,55	Z STA SVL 6	13,42
8	L	Z SVL 8	23,51	Z STA SVL 8	16,89
10	L	Z SVL 10	30,52	Z STA SVL 10	25,09
12	L	Z SVL 12	30,64	Z STA SVL 12	29,05
15	L	Z SVL 15	44,68	Z STA SVL 15	37,54
18	L	Z SVL 18	71,05	Z STA SVL 18	52,55
22	L	Z SVL 22	87,17	Z STA SVL 22	70,41
28	L	Z SVL 28	121,73	Z STA SVL 28	80,24
35	L	Z SVL 35	193,08	Z STA SVL 35	124,69
42	L	Z SVL 42	268,80	Z STA SVL 42	152,90
6	S	Z SVS 6	33,34	Z STA SVS 6	25,32
8	S	Z SVS 8	34,98	Z STA SVS 8	26,65
10	S	Z SVS 10	40,15	Z STA SVS 10	31,13
12	S	Z SVS 12	45,56	Z STA SVS 12	37,58
14	S	Z SVS 14	60,52	Z STA SVS 14	49,04
16	S	Z SVS 16	66,26	Z STA SVS 16	47,82
20	S	Z SVS 20	106,63	Z STA SVS 20	86,46
25	S	Z SVS 25	150,18	Z STA SVS 25	107,80
30	S	Z SVS 30	214,10	Z STA SVS 30	118,48
38	S	Z SVS 38	336,36	Z STA SVS 38	226,31

Tuerca pasatabique Métrica

Metric nut bulkhead

Écrou Métrique passe cloison

Dado passaparete Metrico



TUBO PIPE	ROSCA THREAD	Referencia Part n°	€
6L	M12x1.5	KZTPM12	2,74
8L / 6S	M14x1.5	KZTPM14	2,43
10L / 8S	M16x1.5	KZTPM16	3,13
12L / 10S	M18x1.5	KZTPM18	4,21
12S	M20x1.5	KZTPM20	5,06
15L / 14S	M22x1.5	KZTPM22	6,25
16S	M24x1.5	KZTPM24	7,53
18L	M26x1.5	KZTPM26	11,01
22L / 20S	M30x2	KZTPM30	14,35
28L / 25S	M36x2	KZTPM36	21,18
30S	M42x2	KZTPM42	27,60
35L	M45x2	KZTPM45	28,04
42L / 38S	M52x2	KZTPM52	38,50

Racor en codo pasatabique con tuerca

Elbow bulkhead coupling

Raccord coude égal passe cloison

Raccordo passaparete a 90°



TUBO PIPE	SERIE SERIES	Referencia Part n°	€	Referencia STA Part N° STA	€
6	L	Z USVL 6	50,67	Z STA USVL 6	45,25
8	L	Z USVL 8	52,46	Z STA USVL 8	42,73
10	L	Z USVL 10	50,67	Z STA USVL 10	38,96
12	L	Z USVL 12	54,29	Z STA USVL 12	41,15
15	L	Z USVL 15	85,84	Z STA USVL 15	73,96
18	L	Z USVL 18	97,41	Z STA USVL 18	74,03
22	L	Z USVL 22	146,53	Z STA USVL 22	115,98
28	L	Z USVL 28	286,33	Z STA USVL 28	228,73
35	L	Z USVL 35	513,30	Z STA USVL 35	419,08
42	L	Z USVL 42	661,90	Z STA USVL 42	546,01
6	S	Z USVS 6	69,49	Z STA USVS 6	59,42
8	S	Z USVS 8	59,92	Z STA USVS 8	53,81
10	S	Z USVS 10	63,19	Z STA USVS 10	49,46
12	S	Z USVS 12	70,34	Z STA USVS 12	55,51
14	S	Z USVS 14	101,99	Z STA USVS 14	80,09
16	S	Z USVS 16	103,60	Z STA USVS 16	79,48
20	S	Z USVS 20	180,34	Z STA USVS 20	146,36
25	S	Z USVS 25	309,95	Z STA USVS 25	237,77
30	S	Z USVS 30	432,25	Z STA USVS 30	336,63

RACORES DIN 2353

DIN 2353 Pipe fittings
Raccords à bague DIN 2353
Raccordi DIN 2353

Racor recto hembra rosca BSP

Female stud coupling

Raccord union simple femelle gaz

Raccordo diritto femmina BSP



TUBO PIPE	SERIE SERIES	ROSCA THREAD	Referencia Part n°	€	Referencia STA Part N° STA	€
6	L	1/8" BSP	Z GAIL 6 R 1/8	14,69	Z STA GAIL 6 R 1/8	12,10
6	L	1/4" BSP	Z GAIL 6 R 1/4	15,49	Z STA GAIL 6 R 1/4	13,45
8	L	1/4" BSP	Z GAIL 8 R 1/4	18,48	Z STA GAIL 8 R 1/4	15,10
10	L	1/4" BSP	Z GAIL 10 R 1/4	17,49	Z STA GAIL 10 R 1/4	14,32
12	L	1/2" BSP	Z GAIL 12 R 1/2	24,89	Z STA GAIL 12 R 1/2	20,39
12	L	3/8" BSP	Z GAIL 12 R 3/8	25,00	Z STA GAIL 12 R 3/8	20,89
15	L	1/2" BSP	Z GAIL 15 R 1/2	30,71	Z STA GAIL 15 R 1/2	22,30
18	L	1/2" BSP	Z GAIL 18 R 1/2	36,78	Z STA GAIL 18 R 1/2	25,05
22	L	3/4" BSP	Z GAIL 22 R 3/4	45,33	Z STA GAIL 22 R 3/4	32,88
28	L	1" BSP	Z GAIL 28 R 1	72,90	Z STA GAIL 28 R 1	52,91
35	L	1 1/4" BSP	Z GAIL 35 R 1 1/4	151,96	Z STA GAIL 35 R 1 1/4	104,81
42	L	1 1/2" BSP	Z GAIL 42 R 1 1/2	189,12	Z STA GAIL 42 R 1 1/2	131,13
6	S	1/4" BSP	Z GAIS 6 R 1/4	20,94	Z STA GAIS 6 R 1/4	16,37
8	S	1/4" BSP	Z GAIS 8 R 1/4	21,49	Z STA GAIS 8 R 1/4	16,05
10	S	3/8" BSP	Z GAIS 10 R 3/8	24,44	Z STA GAIS 10 R 3/8	19,42
12	S	3/8" BSP	Z GAIS 12 R 3/8	29,86	Z STA GAIS 12 R 3/8	23,21
14	S	3/8" BSP	Z GAIS 14 R 3/8 *	38,83	---	*
14	S	1/2" BSP	Z GAIS 14 R 1/2	38,02	Z STA GAIS 14 R 1/2	29,24
16	S	1/2" BSP	Z GAIS 16 R 1/2	35,36	Z STA GAIS 16 R 1/2	24,43
20	S	3/4" BSP	Z GAIS 20 R 3/4	63,16	Z STA GAIS 20 R 3/4	46,12
25	S	1" BSP	Z GAIS 25 R 1	84,52	Z STA GAIS 25 R 1	48,14
30	S	1 1/4" BSP	Z GAIS 30 R 1 1/4	140,47	Z STA GAIS 30 R 1 1/4	92,62
38	S	1 1/2" BSP	Z GAIS 38 R 1 1/2	172,23	Z STA GAIS 38 R 1 1/2	113,97

*Hasta fin de existencias / Until end of stock / Jusqu'à la fin du stock / Fino ad esaurimento

Racor para manómetro BSP

Gauge coupling BSP cylindrical

Raccord union pour manomètre gaz

Raccordo per manometro BSP



TUBO PIPE	SERIE SERIES	ROSCA THREAD	Referencia Part n°	€
6	L	1/4" BSP	Z MAVL 6 R 1/4	21,28
8	L	1/4" BSP	Z MAVL 8 R 1/4	21,28
10	L	1/4" BSP	Z MAVL 10 R 1/4	25,41
12	L	1/4" BSP	Z MAVL 12 R 1/4	25,41
6	S	1/2" BSP	Z MAVS 6 R 1/2	32,70
8	S	1/2" BSP	Z MAVS 8 R 1/2	31,74
10	S	1/2" BSP	Z MAVS 10 R 1/2	37,57
12	S	1/2" BSP	Z MAVS 12 R 1/2	32,70

Racor recto hembra rosca Métrica

Female stud coupling Metric Cylindrical

Raccord union simple femelle Métrique

Raccordo diritto femmina Metrico



TUBO PIPE	SERIE SERIES	ROSCA THREAD	Referencia Part n°	€
6	L	M10X1	Z GAIL 6 M 10X1	19,05
8	L	M12X1.5	Z GAIL 8 M 12X1.5	23,65
10	L	M14X1.5	Z GAIL 10 M 14X1.5	26,22
12	L	M16X1.5	Z GAIL 12 M 16X1.5	31,28
15	L	M18X1.5	Z GAIL 15 M 18X1.5	44,31
18	L	M22X1.5	Z GAIL 18 M 22X1.5	52,67
22	L	M26X1.5	Z GAIL 22 M 26X1.5	57,96
28	L	M33X2	Z GAIL 28 M 33X2	87,80
35	L	M42X2	Z GAIL 35 M 42X2	159,39
42	L	M48X2	Z GAIL 42 M 48X2	211,82
6	S	M12X1.5	Z GAIS 6 M 12X1.5	27,01
8	S	M14X1.5	Z GAIS 8 M 14X1.5	32,69
10	S	M16X1.5	Z GAIS 10 M 16X1.5	31,48
12	S	M18X1.5	Z GAIS 12 M 18X1.5	39,18
14	S	M20X1.5	Z GAIS 14 M 20X1.5	48,63
16	S	M22X1.5	Z GAIS 16 M 22X1.5	52,67
20	S	M27X2	Z GAIS 20 M 27X2	74,83
25	S	M33X2	Z GAIS 25 M 33X2	107,38
30	S	M42X2	Z GAIS 30 M 42X2	260,11
38	S	M48X2	Z GAIS 38 M 48X2	353,16

Arandela para manómetros

Seal for gauge coupling

Raccord bague pour manomètres

Guarnizione per manometro



ROSCA THREAD	Referencia Part n°	€
1/4" BSP	Z AM 6	5,95
1/2" BSP	Z AM 12	6,89

RACORES DIN 2353

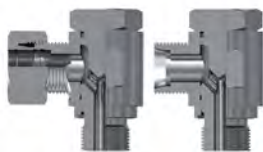
DIN 2353 Pipe fittings
Raccords à bague DIN 2353
Raccordi DIN 2353

Racor en codo orientable sin estrangulación rosca BSP

Banjo coupling with captive seal and o'ring
BSP cylindrical

Raccord équerre orientable articulée sans
étranglement gaz

Raccordo orientabile 90° ad occhio BSP
con guarnizione



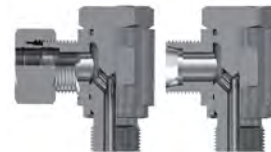
TUBO PIPE	SERIE SERIES	ROSCA THREAD	Referencia Part n°	€	Referencia STA Part N° STA	€
6	L	1/8" BSP	Z WSVL 6 R 1/8	78,96	Z STA WSVL 6 R 1/8	74,54
6	L	1/4" BSP	Z WSVL 6 R 1/4	105,37	Z STA WSVL 6 R 1/4	101,03
8	L	1/4" BSP	Z WSVL 8 R 1/4	83,00	Z STA WSVL 8 R 1/4	79,67
10	L	1/4" BSP	Z WSVL 10 R 1/4	79,05	Z STA WSVL 10 R 1/4	75,72
12	L	3/8" BSP	Z WSVL 12 R 3/8	94,94	Z STA WSVL 12 R 3/8	91,10
15	L	1/2" BSP	Z WSVL 15 R 1/2	130,58	Z STA WSVL 15 R 1/2	125,35
18	L	1/2" BSP	Z WSVL 18 R 1/2	168,04	Z STA WSVL 18 R 1/2	160,10
22	L	3/4" BSP	Z WSVL 22 R 3/4	343,11	Z STA WSVL 22 R 3/4	327,79
28	L	1" BSP	Z WSVL 28 R 1	573,43	Z STA WSVL 28 R 1	544,60
35	L	1 1/4" BSP	Z WSVL 35 R 1 1/4	748,53	Z STA WSVL 35 R 1 1/4	701,38
42	L	1 1/2" BSP	Z WSVL 42 R 1 1/2	1.035,01	Z STA WSVL 42 R 1 1/2	977,02
6	S	1/4" BSP	Z WSVS 6 R 1/4	85,04	Z STA WSVS 6 R 1/4	80,67
8	S	1/4" BSP	Z WSVS 8 R 1/4	93,13	Z STA WSVS 8 R 1/4	88,38
10	S	3/8" BSP	Z WSVS 10 R 3/8	105,28	Z STA WSVS 10 R 3/8	101,05
12	S	3/8" BSP	Z WSVS 12 R 3/8	118,44	Z STA WSVS 12 R 3/8	114,04
14	S	1/2" BSP	Z WSVS 14 R 1/2	185,06	Z STA WSVS 14 R 1/2	174,07
16	S	1/2" BSP	Z WSVS 16 R 1/2	174,01	Z STA WSVS 16 R 1/2	167,24
20	S	3/4" BSP	Z WSVS 20 R 3/4	347,66	Z STA WSVS 20 R 3/4	330,63
25	S	1" BSP	Z WSVS 25 R 1	500,48	Z STA WSVS 25 R 1	464,36
30	S	1 1/4" BSP	Z WSVS 30 R 1 1/4	893,41	Z STA WSVS 30 R 1 1/4	845,56
38	S	1 1/2" BSP	Z WSVS 38 R 1 1/2	1.248,81	Z STA WSVS 38 R 1 1/2	1.180,61

Racor en codo orientable sin estrangulación rosca Métrica

Banjo coupling with captive seal and o'ring
Metric cylindrical

Raccord équerre orientable articulée sans
étranglement Métrique

Raccordo orientabile 90° ad occhio Metrico
con guarnizione



TUBO PIPE	SERIE SERIES	ROSCA THREAD	Referencia Part n°	€	Referencia STA Part N° STA	€
6	L	M10X1	Z WSVL 6 M 10X1	83,00	Z STA WSVL 6 M 10X1	80,15
8	L	M12X1.5	Z WSVL 8 M 12X1,5	87,06	Z STA WSVL 8 M 12X1,5	83,98
10	L	M14X1.5	Z WSVL 10 M 14X1,5	125,62	Z STA WSVL 10 M 14X1,5	119,73
12	L	M16X1.5	Z WSVL 12 M 16X1,5	135,08	Z STA WSVL 12 M 16X1,5	128,47
15	L	M18X1.5	Z WSVL 15 M 18X1,5	181,01	Z STA WSVL 15 M 18X1,5	172,48
18	L	M22X1.5	Z WSVL 18 M 22X1,5	221,53	Z STA WSVL 18 M 22X1,5	209,80
22	L	M26X1.5	Z WSVL 22 M 26X1,5	*	Z STA WSVL 22 M 26X1,5	*
28	L	M33X2	Z WSVL 28 M 33X2	*	Z STA WSVL 28 M 33X2	*
35	L	M42X2	Z WSVL 35 M 42X2	*	Z STA WSVL 35 M 42X2	*
42	L	M48X2	Z WSVL 42 M 48X2	*	Z STA WSVL 42 M 48X2	*
6	S	M12X1.5	Z WSVS 6 M 12X1,5	118,87	Z STA WSVS 6 M 12X1,5	113,79
8	S	M14X1.5	Z WSVS 8 M 14X1,5	126,97	Z STA WSVS 8 M 14X1,5	121,47
10	S	M16X1.5	Z WSVS 10 M 16X1,5	148,59	Z STA WSVS 10 M 16X1,5	141,69
12	S	M18X1.5	Z WSVS 12 M 18X1,5	164,79	Z STA WSVS 12 M 18X1,5	157,34
14	S	M22X1.5	Z WSVS 14 M 20X1,5	143,74	Z STA WSVS 14 M 20X1,5	132,75
16	S	M27X2	Z WSVS 16 M 22X1,5	245,85	Z STA WSVS 16 M 22X1,5	233,75
20	S	M33X2	Z WSVS 20 M 27X2	357,96	Z STA WSVS 20 M 27X2	340,93
30	S	M42X2	Z WSVS 30 M 42X2	677,04	Z STA WSVS 30 M 42X2	629,19
38	S	M48X2	Z WSVS 38 M 48X2	*	Z STA WSVS 38 M 48X2	*

RACORES DIN 2353

DIN 2353 Pipe fittings
Raccords à bague DIN 2353
Raccordi DIN 2353

Tapón de cierre para tubo con junta tórica

Blanking plug with o'ring

Raccord bouchon de fermeture avec o'ring

Tappo di chiusura con o'ring



TUBO PIPE	SERIE SERIES	Referencia Part n°	€
6	L/S	Z BUTZEN L 6	6,43
8	L/S	Z BUTZEN L 8	5,83
10	L/S	Z BUTZEN L 10	6,01
12	L/S	Z BUTZEN L 12	7,19
15	L	Z BUTZEN L 15	8,18
18	L	Z BUTZEN L 18	10,35
22	L	Z BUTZEN L 22	14,25
28	L	Z BUTZEN L 28	21,73
35	L	Z BUTZEN L 35	37,25
42	L	Z BUTZEN L 42	51,23
14	S	Z BUTZEN S 14	10,87
16	S	Z BUTZEN S 16	10,23
20	S	Z BUTZEN S 20	22,76
25	S	Z BUTZEN S 25	18,11
30	S	Z BUTZEN S 30	29,91
38	S	Z BUTZEN S 38	49,05

Tapón de cierre Allen rosca BSP con junta

Blanking plug with captive seal BSP cylindrical

Raccord bouchon Allen gaz avec joint plat

Tappo cilindrico BSP esagono incassato con guarnizione



ROSCA THREAD	Referencia Part n°	€
1/8" BSP	Z STOPFEN 1/8	6,68
1/4" BSP	Z STOPFEN 1/4	7,41
3/8" BSP	Z STOPFEN 3/8	8,57
1/2" BSP	Z STOPFEN 1/2	11,08
3/4" BSP	Z STOPFEN 3/4	15,61
1" BSP	Z STOPFEN 1	24,38
1"1/4 BSP	Z STOPFEN 1 1/4	44,50
1"1/2 BSP	Z STOPFEN 1 1/2	50,08

Tapón de cierre Allen rosca Métrica con junta

Blanking plug with captive seal Metric cylindrical

Raccord bouchon Allen Métrique avec joint plat

Tappo cilindrico Metrico esagono incassato con guarnizione



ROSCA THREAD	Referencia Part n°	€
M10X1	Z STOPFEN M 10X1	7,46
M12X1,5	Z STOPFEN M 12X1,5	8,35
M14X1,5	Z STOPFEN M 14X1,5	8,00
M16X1,5	Z STOPFEN M 16X1,5	9,42
M18X1,5	Z STOPFEN M 18X1,5	10,67
M20X1,5	Z STOPFEN M 20X1,5	16,91
M22X1,5	Z STOPFEN M 22X1,5	19,18
M26X1,5	Z STOPFEN M 26X1,5	31,08
M27X2	Z STOPFEN M 27X2	27,83
M33X2	Z STOPFEN M 33X2	38,22
M42X2	Z STOPFEN M 42X2	45,42
M48X2	Z STOPFEN M 48X2	79,68

Juntas tóricas FKM verde

Green FKM o-ring

Joint torique en FKM vert

Guarnizioni o'Rings FKM verde



TUBO PIPE	Referencia Part n°	€
6	JVT06	0,83
8	JVT08	0,90
10	JVT10	0,97
12	JVT12	1,02
14	JVT14	1,11
15-16	JVT15	1,09
18	JVT18	1,29
20	JVT20	1,29
22	JVT22	1,38
25	JVT25	1,43
28	JVT28	1,50
30	JVT30	1,60
35	JVT35	2,22
38	JVT38	2,34
42	JVT42	2,54

Juntas planas FKM verde

Green FKM captive seal

Joint plat en FKM vert

Guarnizioni piatte FKM verde



ROSCA THREAD	Referencia Part n°	€
1/8" BSP - M10x1	JVBSP02	3,19
M12x1.5	JVM12	3,19
1/4" BSP - M14x1.5	JVBSP04	3,13
M16x1.5	JVM16	3,19
3/8" BSP	JVBSP06	3,19
M18x1.5	JVM18	3,33
M20x1.5	JVM20	3,33
1/2" BSP	JVBSP08	3,34
M22x1.5	JVM22	3,41
3/4" BSP - M26x1.5	JVBSP12	3,40
1" BSP - M33x2	JVBSP16	3,54
1"1/4 BSP - M42x2	JVBSP20	5,42
1"1/2 BSP - M48x2	JVBSP24	5,83
2" BSP	JVBSP32	20,15

RACORES DIN 2353

DIN 2353 Pipe fittings
Raccords à bague DIN 2353
Raccordi DIN 2353

Vomo

Tool for manual pre-assembly

Outil pour pre-montage

Utensili di premontaggio



TUBO PIPE	SERIE SERIES	ROSCA THREAD	Referencia Part n°	€
6	L	12x1.5	Z VOMO L 6	*
8	L	14x1.5	Z VOMO L 8	*
10	L	16x1.5	Z VOMO L 10	*
12	L	18x1.5	Z VOMO L 12	*
15	L	22x1.5	Z VOMO L 15	*
18	L	26x1.5	Z VOMO L 18	*
22	L	30x2.0	Z VOMO L 22	*
28	L	36x2.0	Z VOMO L 28	*
35	L	45x2.0	Z VOMO L 35	*
42	L	52x2.0	Z VOMO L 42	*
6	S	14x1.5	Z VOMO S 6	*
8	S	16x1.5	Z VOMO S 8	*
10	S	18x1.5	Z VOMO S 10	*
12	S	20x1.5	Z VOMO S 12	*
14	S	22x1.5	Z VOMO S 14	*
16	S	24x1.5	Z VOMO S 16	*
20	S	30x2.0	Z VOMO S 20	*
25	S	36x2.0	Z VOMO S 25	*
30	S	42x2.0	Z VOMO S 30	*

Material Acero Templado / Made of Hardened tool-steel / Matériel Acier Trempé / Materiale acciaio temprato

Grasa

Grease

Graisse

Lubrificante



PESO (gr) WEIGHT (gr)	Referencia Part n°	€
145	GR ASW120	71,79

FLUIDAL

RACORES DIN 2353

DIN 2353 Pipe fittings
Raccords à bague DIN 2353
Raccordi DIN 2353

Válvula antirretorno rosca BSP-tubo

Non-return valve flow from male stud end BSP cylindrical

Clapet anti-rétour unidirectionnel à gauche mâle-tube

Valvola di ritegno a sinistra



TUBO PIPE	SERIE SERIES	ROSCA THREAD	Referencia Part n°	€
6	L	1/8" BSP	Z RHVL 6 R 1/8	*
8	L	1/4" BSP	Z RHVL 8 R 1/4	*
10	L	1/4" BSP	Z RHVL 10 R 1/4	*
12	L	3/8" BSP	Z RHVL 12 R 3/8	*
15	L	1/2" BSP	Z RHVL 15 R 1/2	*
18	L	1/2" BSP	Z RHVL 18 R 1/2	*
22	L	3/4" BSP	Z RHVL 22 R 3/4	*
28	L	1" BSP	Z RHVL 28 R 1	*
35	L	1"1/4 BSP	Z RHVL 35 R 1 1/4	*
42	L	1"1/2 BSP	Z RHVL 42 R 1 1/2	*
6	S	1/4" BSP	Z RHVS 6 R 1/4	*
8	S	1/4" BSP	Z RHVS 8 R 1/4	*
10	S	3/8" BSP	Z RHVS 10 R 3/8	*
12	S	3/8" BSP	Z RHVS 12 R 3/8	*
14	S	1/2" BSP	Z RHVS 14 R 1/2	*
16	S	1/2" BSP	Z RHVS 16 R 1/2	*
20	S	3/4" BSP	Z RHVS 20 R 3/4	*
25	S	1" BSP	Z RHVS 25 R 1	*
30	S	1"1/4 BSP	Z RHVS 30 R 1 1/4	*
38	S	1"1/2 BSP	Z RHVS 38 R 1 1/2	*

Taraje 1 bar. Para otras presiones de tarado estandar, consultar. / Setting 1 bar. For other standard spring pressures, consult us. / Tarage 1 bar. Pour d'autres pressions ressort standard, consultez-nous. / Per altre pressioni di taratura standard, consultare.

Válvula antirretorno tubo-tubo

Non-return valve tube-tube

Clapet anti-rétour bidirectionnel tube-tube

Valvola di ritegno tubo-tubo



TUBO PIPE	SERIE SERIES	Referencia Part n°	€	Referencia STA Part N° STA	€
6	L	Z RHDL 6	44,00	Z STA RHDL 6	35,40
8	L	Z RHDL 8	62,07	Z STA RHDL 8	52,34
10	L	Z RHDL 10	55,34	Z STA RHDL 10	43,62
12	L	Z RHDL 12	66,00	Z STA RHDL 12	52,85
15	L	Z RHDL 15	77,15	Z STA RHDL 15	60,18
18	L	Z RHDL 18	108,53	Z STA RHDL 18	85,15
22	L	Z RHDL 22	145,79	Z STA RHDL 22	115,24
28	L	Z RHDL 28	250,79	Z STA RHDL 28	193,19
35	L	Z RHDL 35	577,04	Z STA RHDL 35	482,83
42	L	Z RHDL 42	748,53	Z STA RHDL 42	632,64
6	S	Z RHDS 6	44,31	Z STA RHDS 6	34,24
8	S	Z RHDS 8	47,03	Z STA RHDS 8	36,11
10	S	Z RHDS 10	57,49	Z STA RHDS 10	43,76
12	S	Z RHDS 12	67,02	Z STA RHDS 12	52,19
14	S	Z RHDS 14	84,06	Z STA RHDS 14	62,16
16	S	Z RHDS 16	98,52	Z STA RHDS 16	74,39
20	S	Z RHDS 20	130,28	Z STA RHDS 20	96,29
25	S	Z RHDS 25	211,46	Z STA RHDS 25	139,28
30	S	Z RHDS 30	344,18	Z STA RHDS 30	248,56
38	S	Z RHDS 38	737,54	Z STA RHDS 38	601,24

Taraje 1 bar. Para otras presiones de tarado estandar, consultar. / Setting 1 bar. For other standard spring pressures, consult us. / Tarage 1 bar. Pour d'autres pressions ressort standard, consultez-nous. / Per altre pressioni di taratura standard, consultare.

Válvula antirretorno tubo-rosca BSP

Non-return valve flow towards male stud end BSP cylindrical

Clapet anti-rétour unidirectionnel à droite tube-mâle

Valvola di ritegno a destra



TUBO PIPE	SERIE SERIES	ROSCA THREAD	Referencia Part n°	€
6	L	1/8" BSP	Z RHZL 6 R 1/8	*
8	L	1/4" BSP	Z RHZL 8 R 1/4	*
10	L	1/4" BSP	Z RHZL 10 R 1/4	*
12	L	3/8" BSP	Z RHZL 12 R 3/8	*
15	L	1/2" BSP	Z RHZL 15 R 1/2	*
18	L	1/2" BSP	Z RHZL 18 R 1/2	*
22	L	3/4" BSP	Z RHZL 22 R 3/4	*
28	L	1" BSP	Z RHZL 28 R 1	*
35	L	1"1/4 BSP	Z RHZL 35 R 1 1/4	*
42	L	1"1/2 BSP	Z RHZL 42 R 1 1/2	*
6	S	1/4" BSP	Z RHZS 6 R 1/4	*
8	S	1/4" BSP	Z RHZS 8 R 1/4	*
10	S	3/8" BSP	Z RHZS 10 R 3/8	*
12	S	3/8" BSP	Z RHZS 12 R 3/8	*
14	S	1/2" BSP	Z RHZS 14 R 1/2	*
16	S	1/2" BSP	Z RHZS 16 R 1/2	*
20	S	3/4" BSP	Z RHZS 20 R 3/4	*
25	S	1" BSP	Z RHZS 25 R 1	*
30	S	1"1/4 BSP	Z RHZS 30 R 1 1/4	*
38	S	1"1/2 BSP	Z RHZS 38 R 1 1/2	*

Taraje 1 bar. Para otras presiones de tarado estandar, consultar. / Setting 1 bar. For other standard spring pressures, consult us. / Tarage 1 bar. Pour d'autres pressions ressort standard, consultez-nous. / Per altre pressioni di taratura standard, consultare.

Incorporamos válvulas antirretorno sin tuerca ni anillo

Non-return valve only body